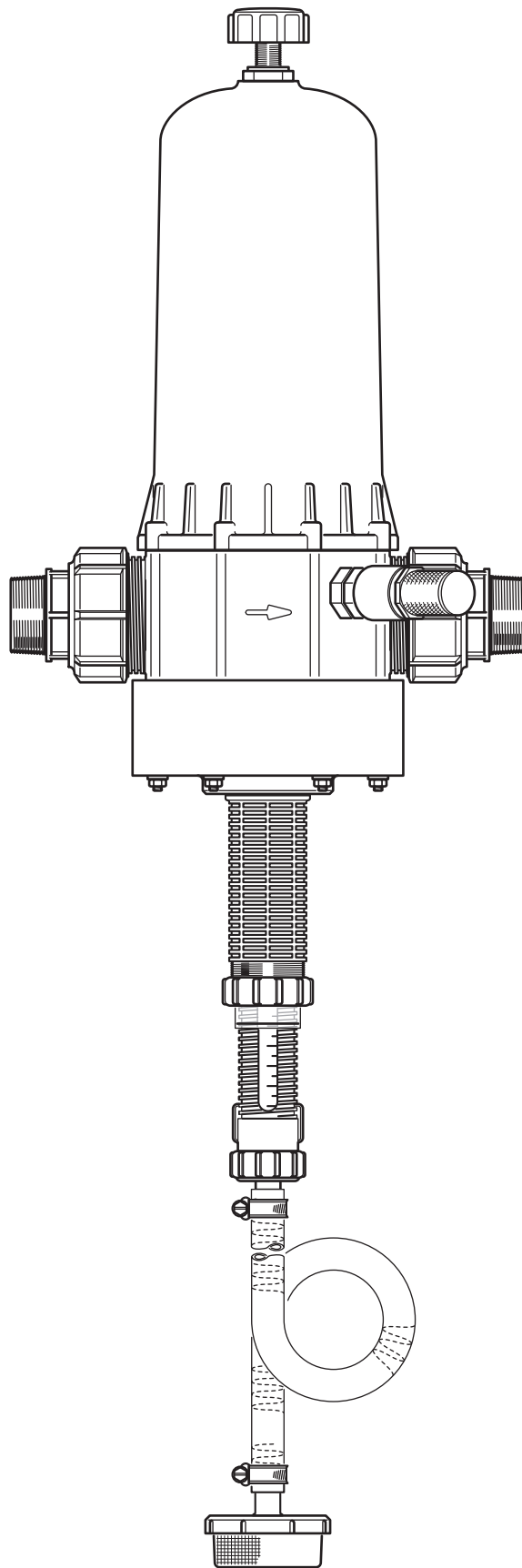


D60S

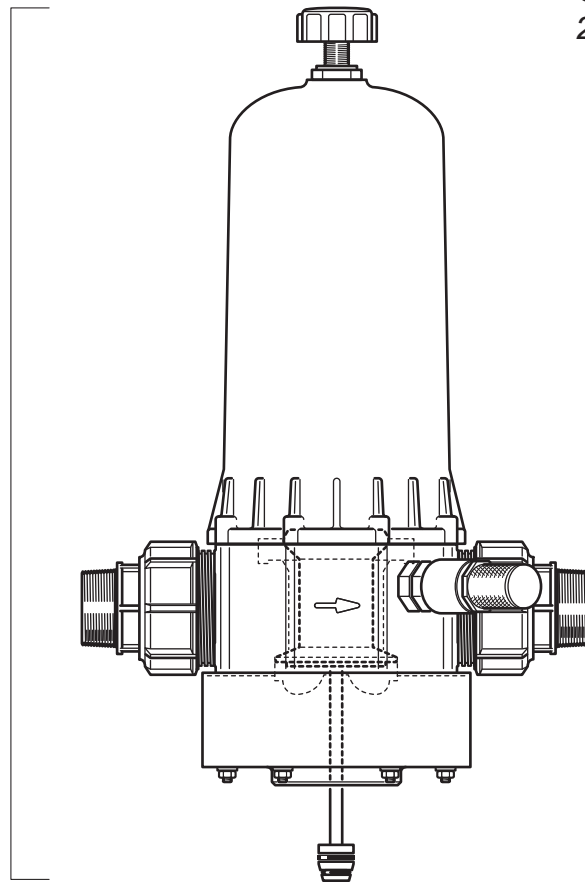
60 m³/h - 0.1 - 0.65%
264 GPM - 1:1000 - 1:155
0.5 - 8 bar
7 - 116 psi



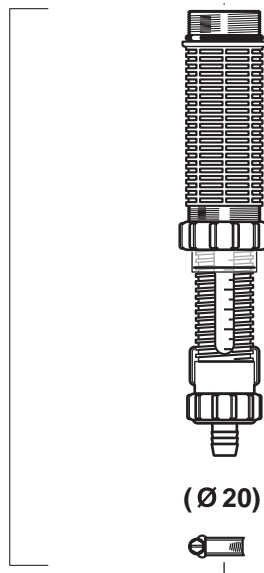
D60S

60 m³/h - 0.1 - 0.65%
264 GPM - 1:1000 - 1:155
0.5 - 8 bar
7 - 116 psi

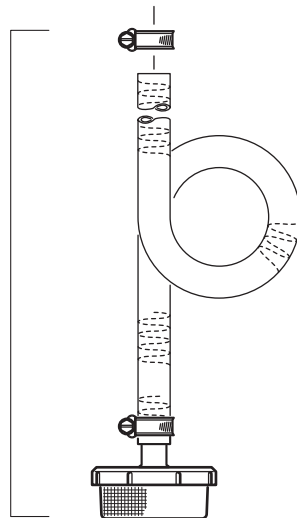
C+M



D

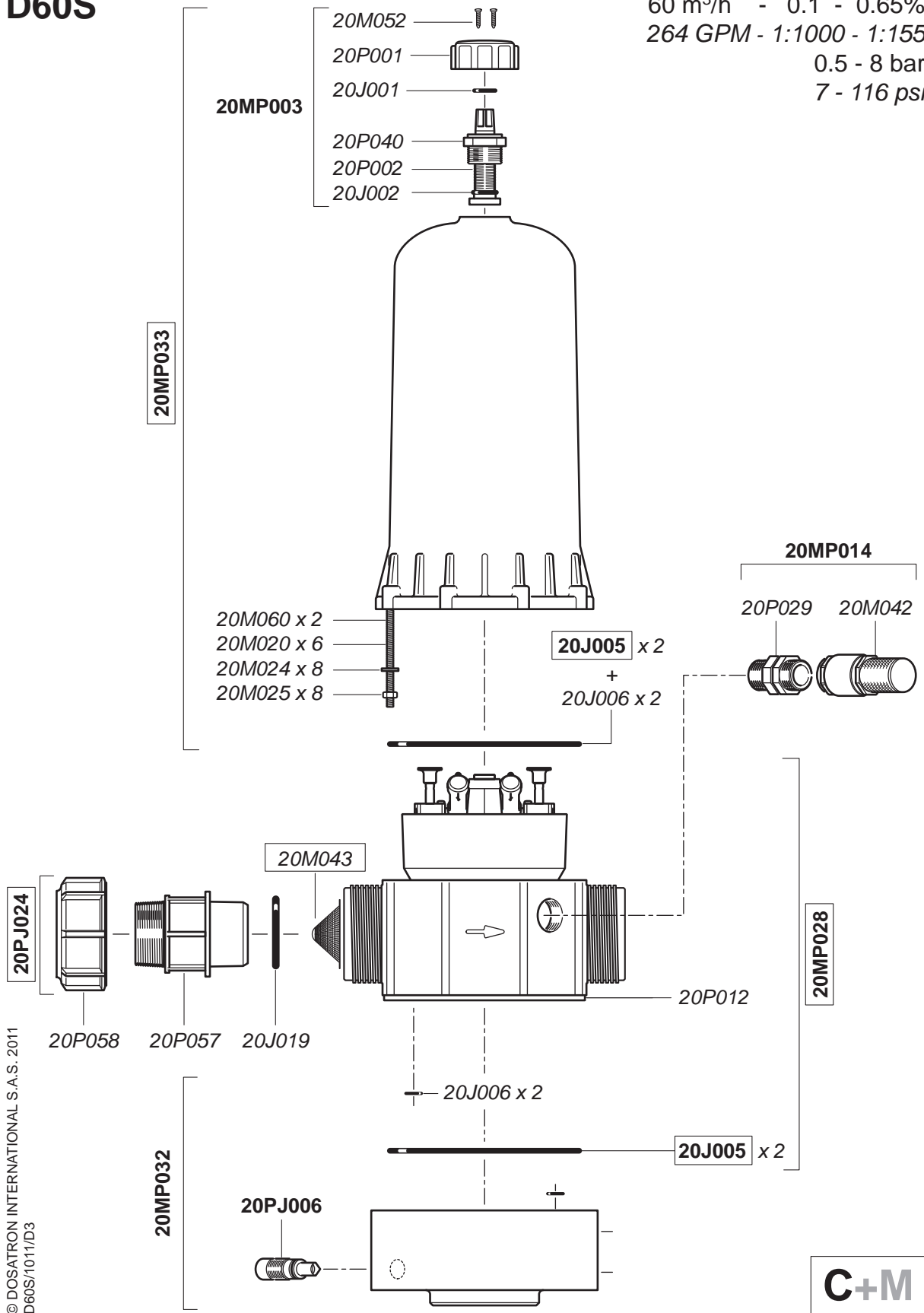


A



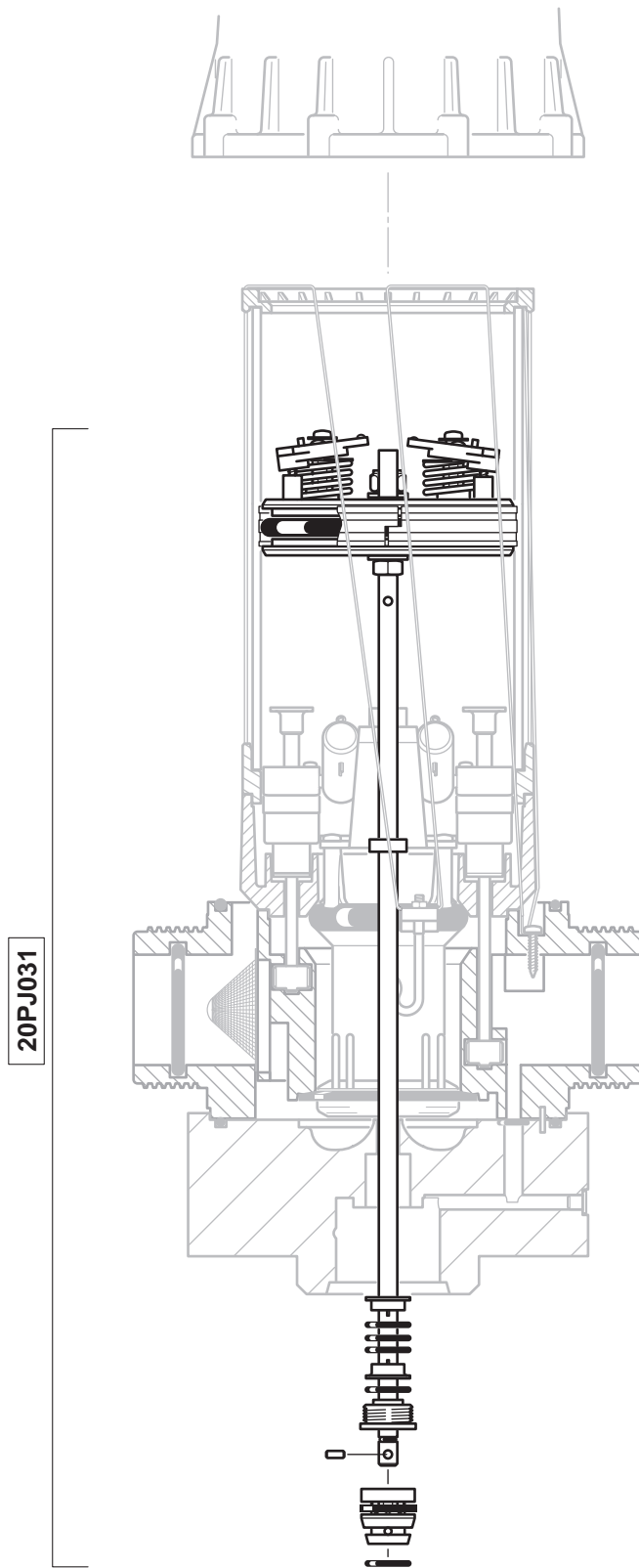
D60S

60 m³/h - 0.1 - 0.65%
 264 GPM - 1:1000 - 1:155
 0.5 - 8 bar
 7 - 116 psi



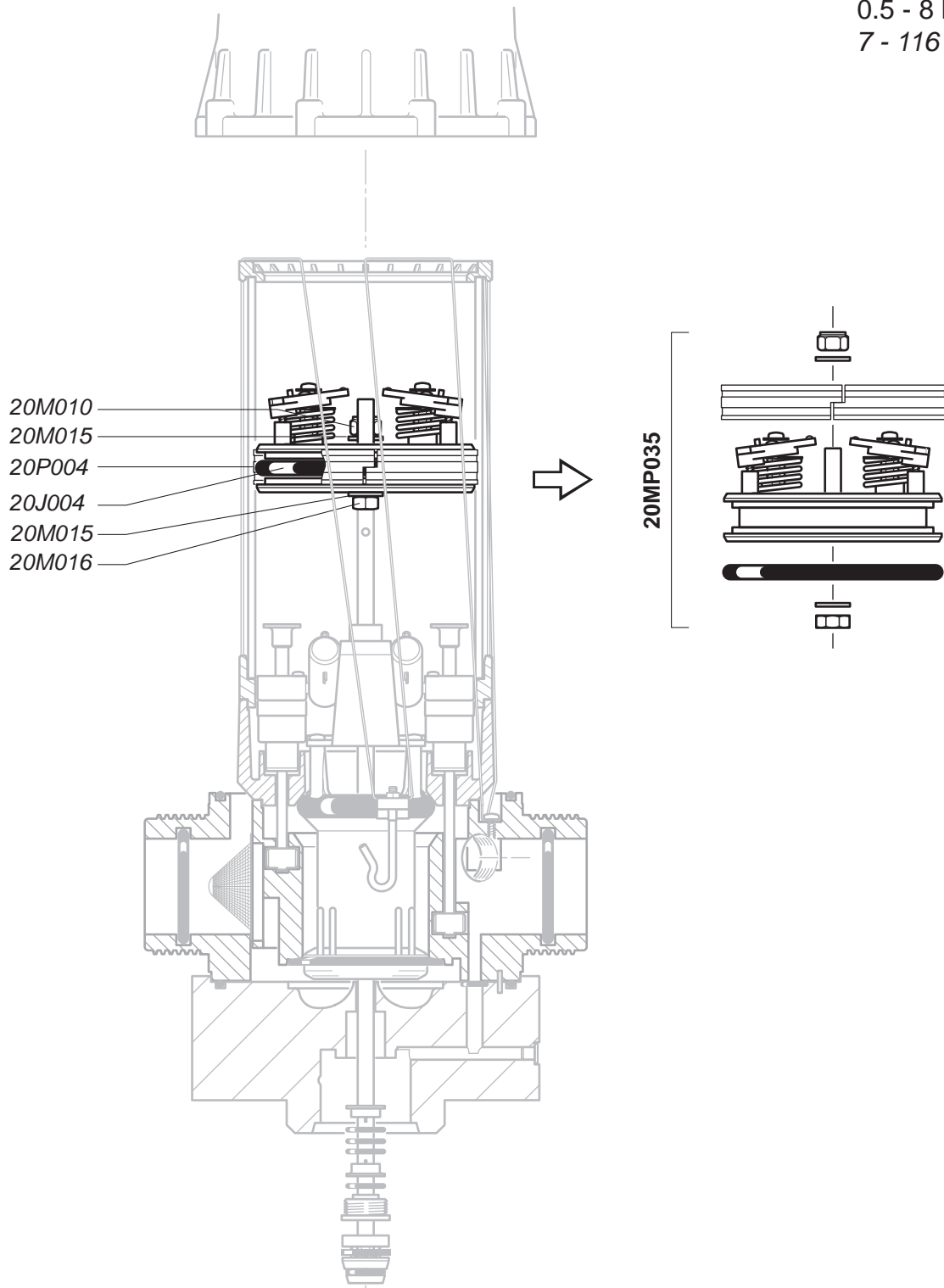
D60S

60 m³/h - 0.1 - 0.65%
264 GPM - 1:1000 - 1:155
0.5 - 8 bar
7 - 116 psi



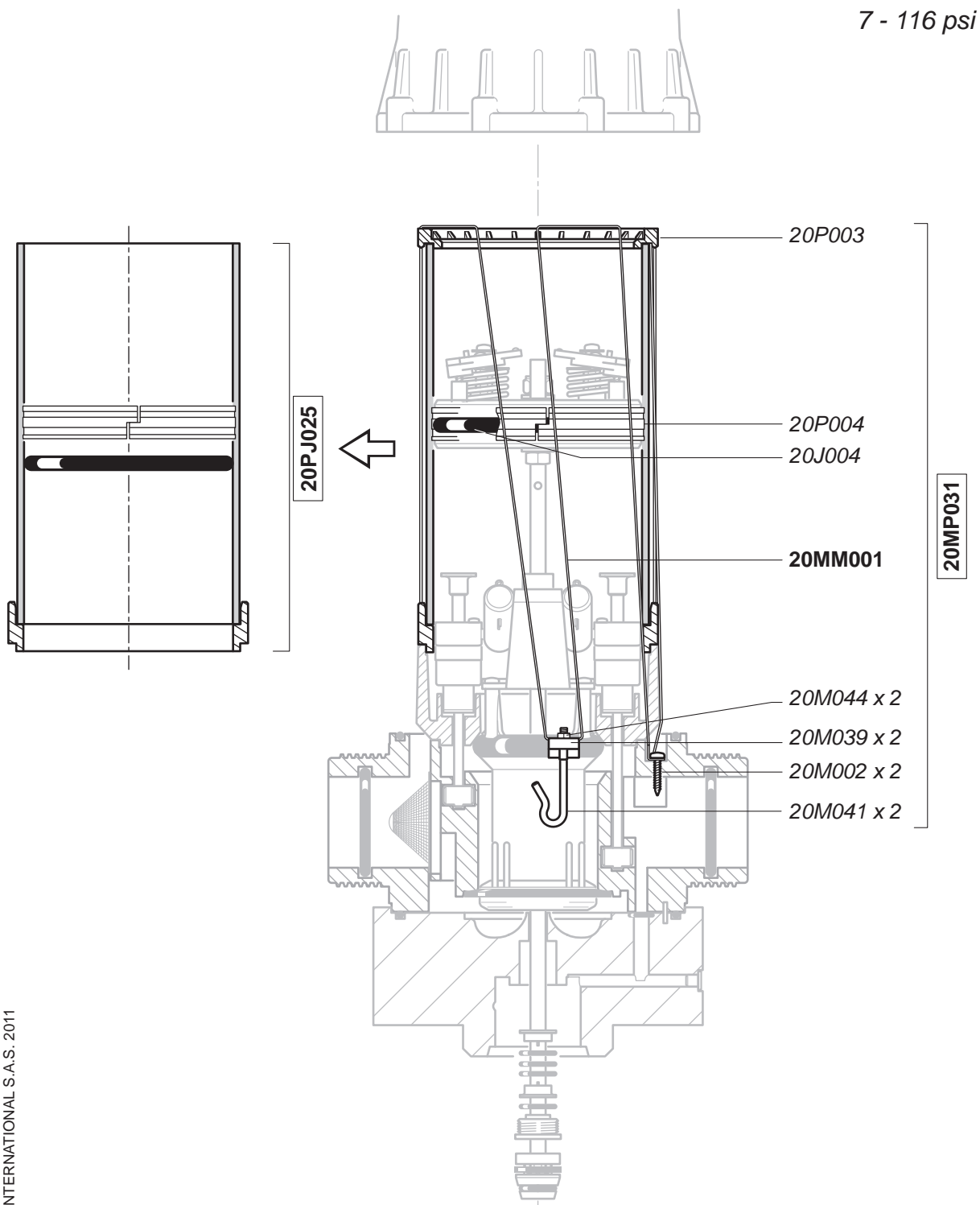
D60S

60 m³/h - 0.1 - 0.65%
264 GPM - 1:1000 - 1:155
0.5 - 8 bar
7 - 116 psi



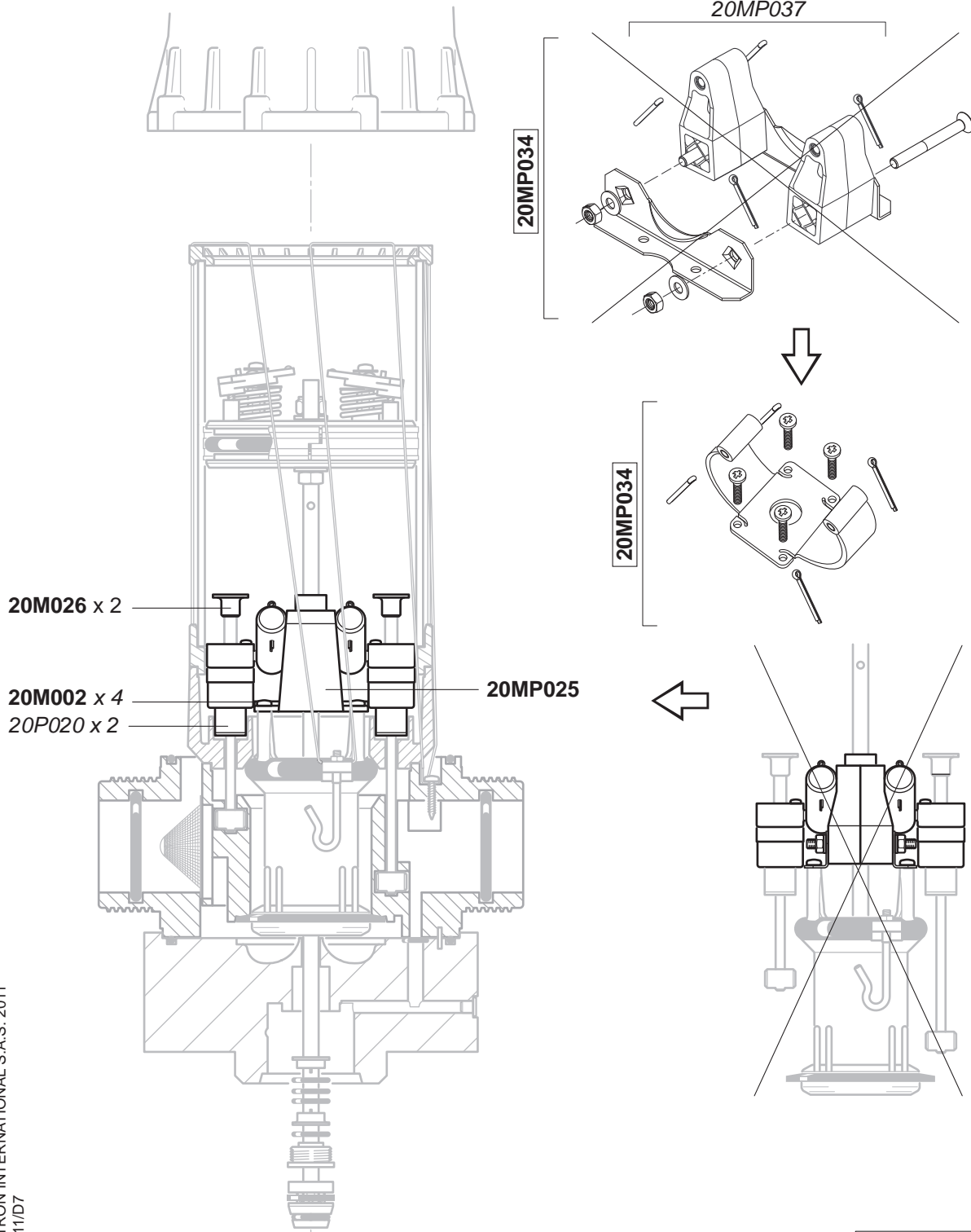
D60S

60 m³/h - 0.1 - 0.65%
264 GPM - 1:1000 - 1:155
0.5 - 8 bar
7 - 116 psi



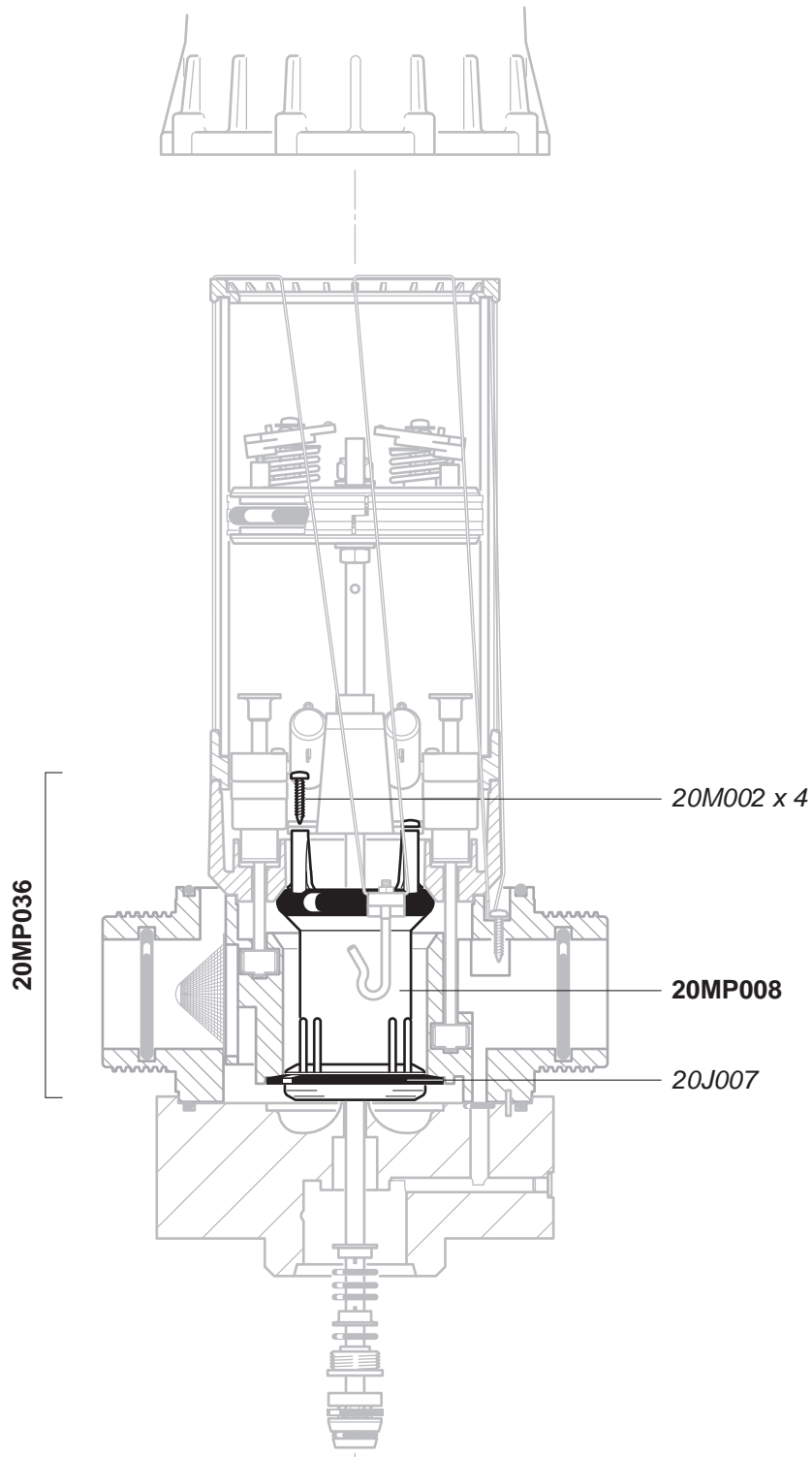
D60S

60 m³/h - 0.1 - 0.65%
264 GPM - 1:1000 - 1:155
0.5 - 8 bar
7 - 116 psi



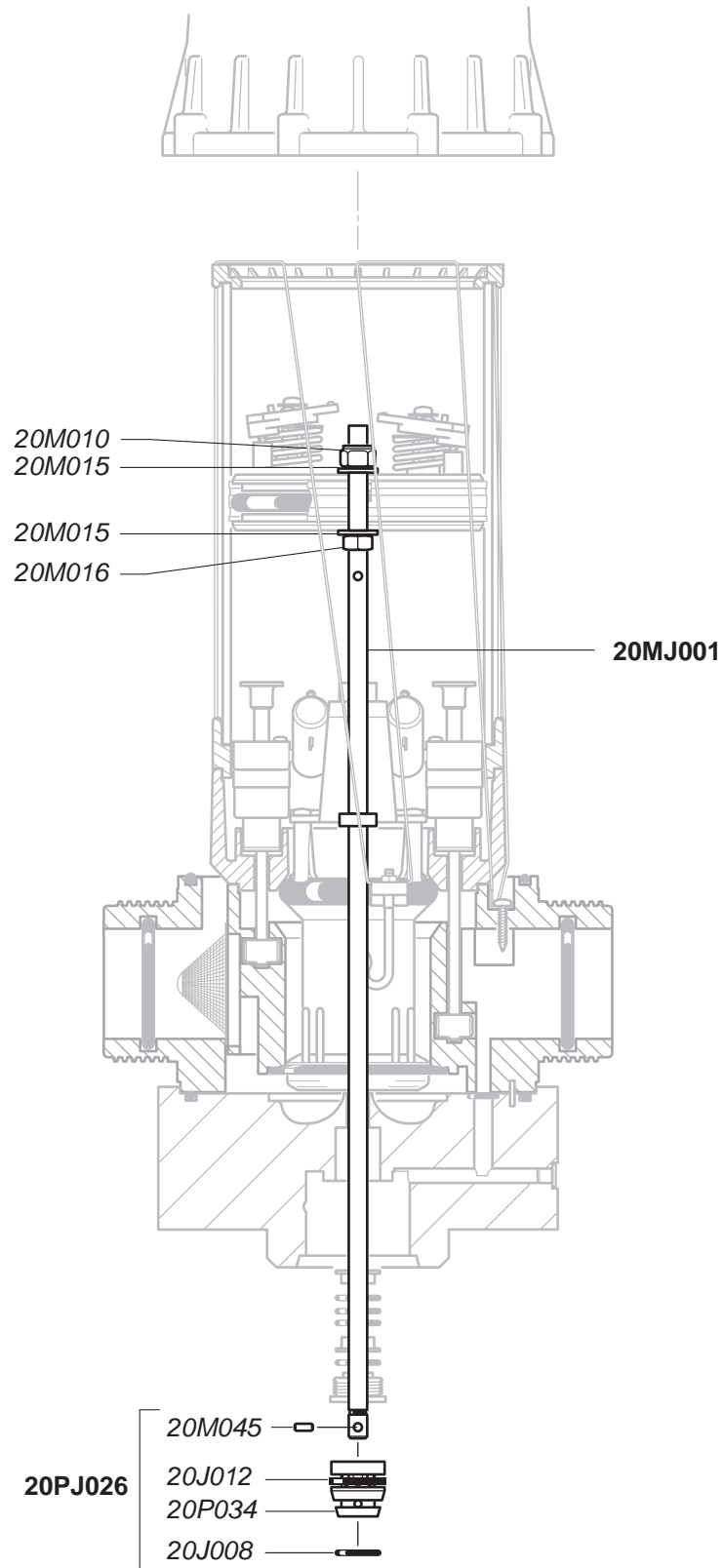
D60S

60 m³/h - 0.1 - 0.65%
264 GPM - 1:1000 - 1:155
0.5 - 8 bar
7 - 116 psi



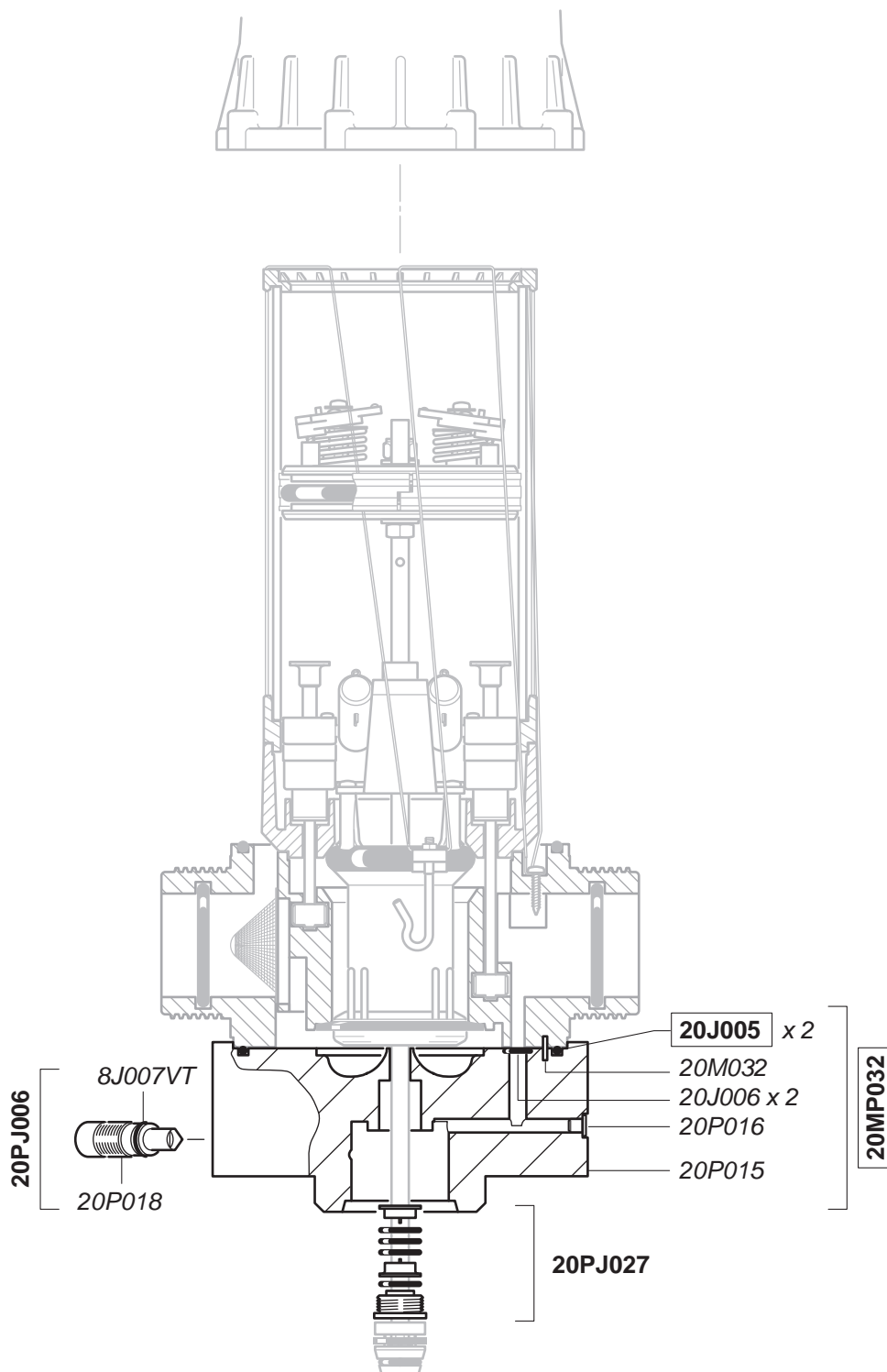
D60S

60 m³/h - 0.1 - 0.65%
264 GPM - 1:1000 - 1:155
0.5 - 8 bar
7 - 116 psi



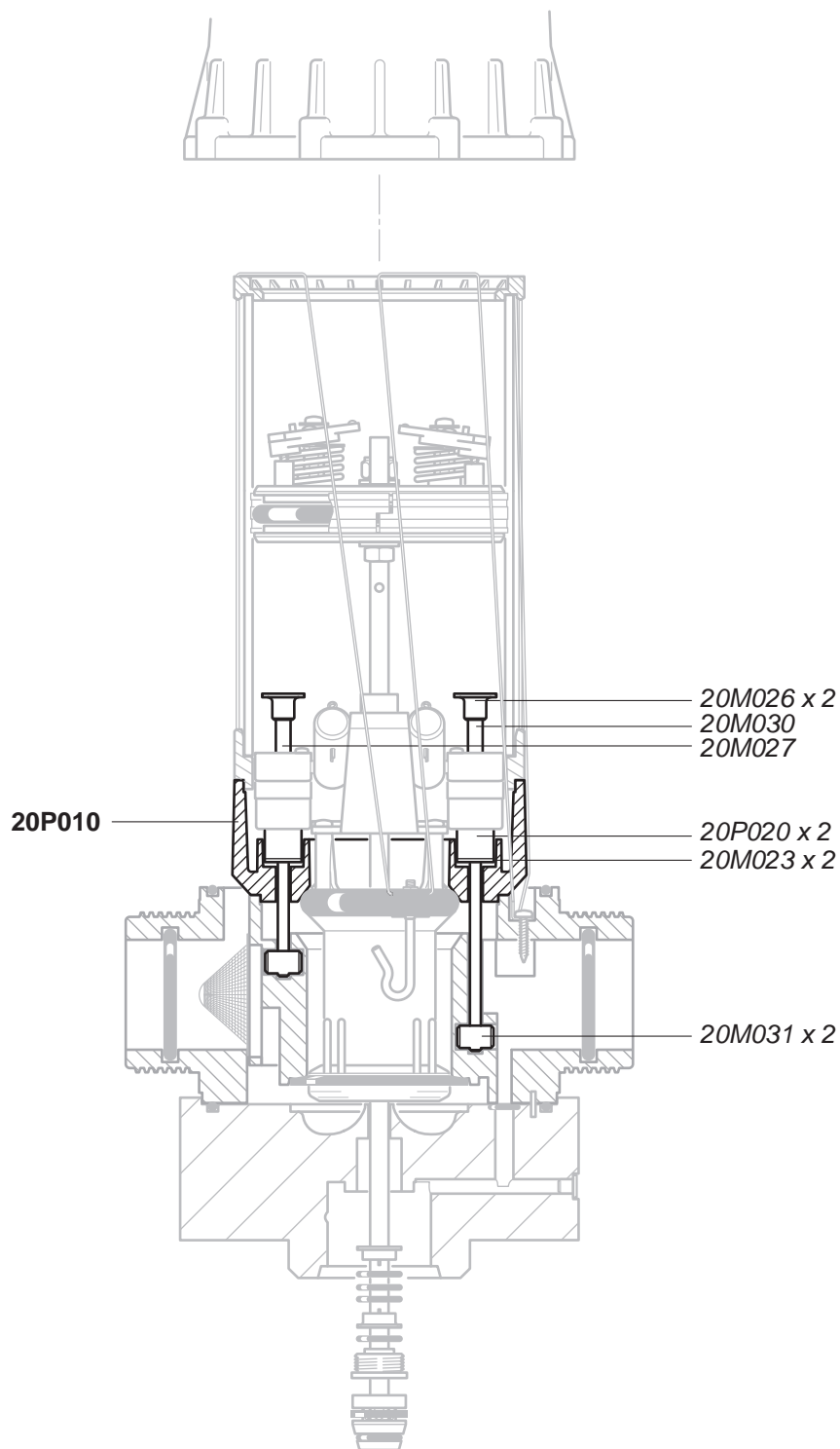
D60S

60 m³/h - 0.1 - 0.65%
264 GPM - 1:1000 - 1:155
0.5 - 8 bar
7 - 116 psi



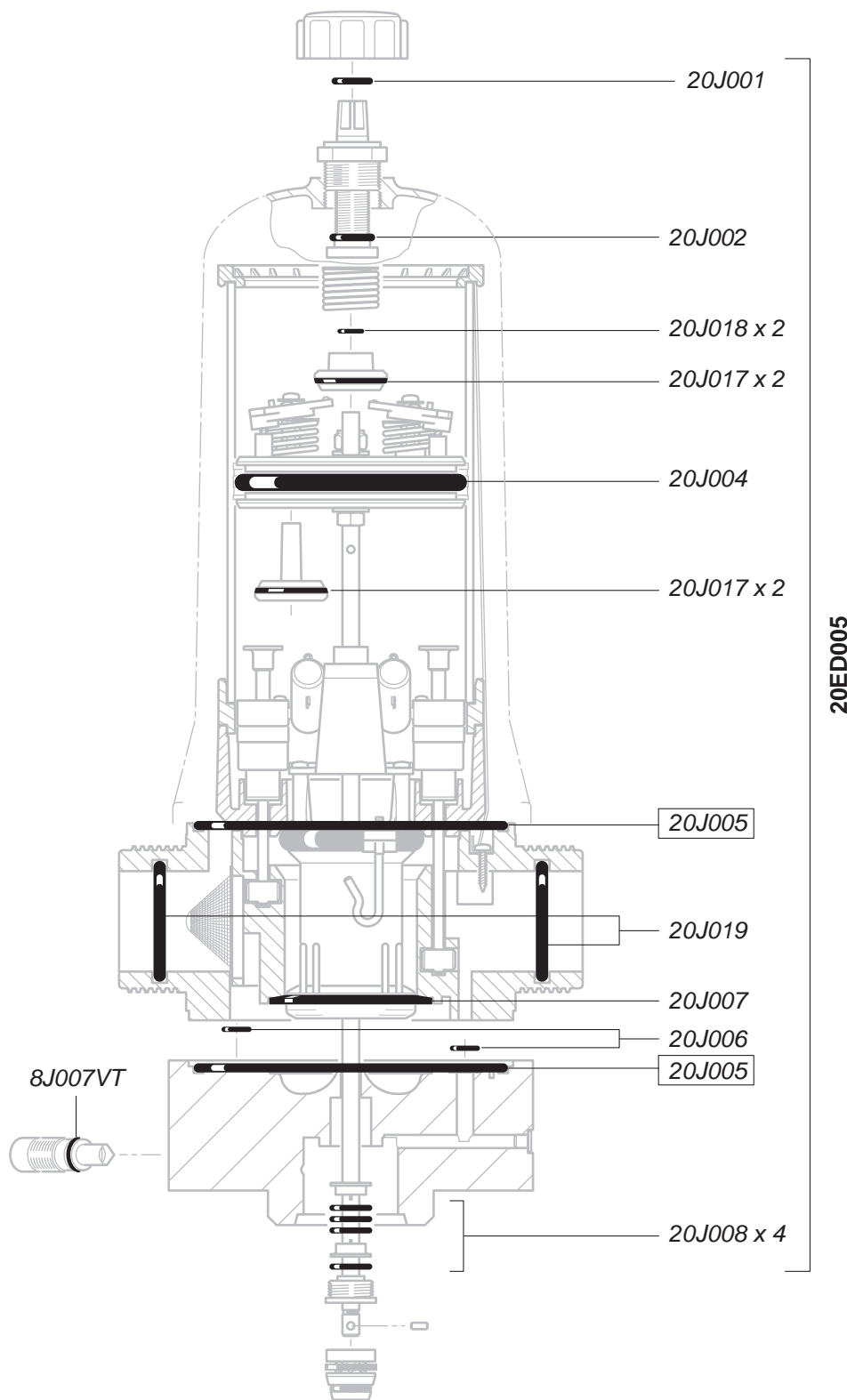
D60S

60 m³/h - 0.1 - 0.65%
264 GPM - 1:1000 - 1:155
0.5 - 8 bar
7 - 116 psi



D60S

60 m³/h - 0.1 - 0.65%
 264 GPM - 1:1000 - 1:155
 0.5 - 8 bar
 7 - 116 psi

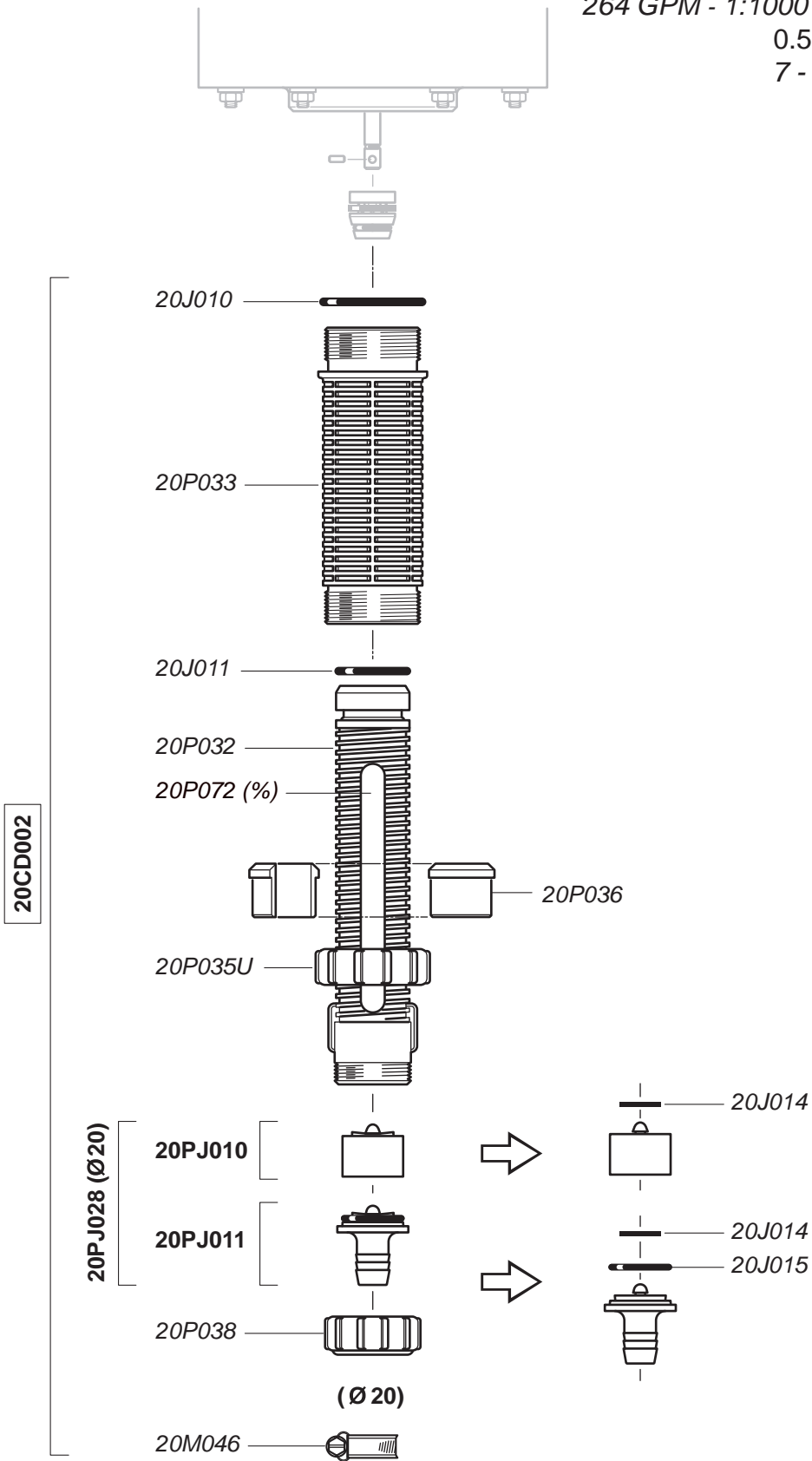


© DOSATRON INTERNATIONAL S.A.S. 2011
 D60S/1011/D12



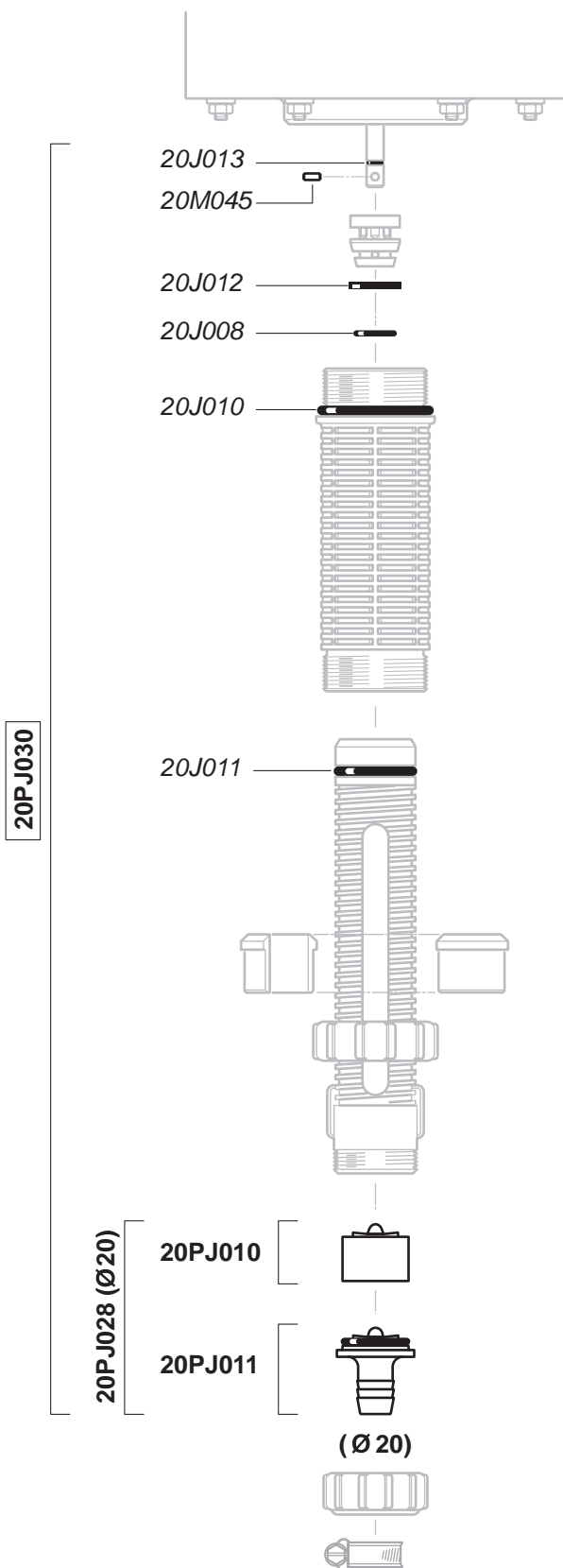
D60S

60 m³/h - 0.1 - 0.65%
 264 GPM - 1:1000 - 1:155
 0.5 - 8 bar
 7 - 116 psi



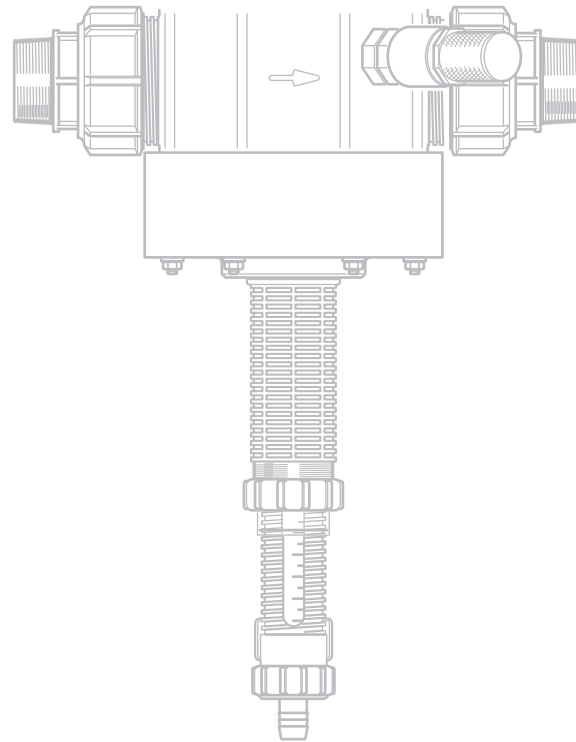
D60S

60 m³/h - 0.1 - 0.65%
264 GPM - 1:1000 - 1:155
0.5 - 8 bar
7 - 116 psi



D60S

60 m³/h - 0.1 - 0.65%
264 GPM - 1:1000 - 1:155
0.5 - 8 bar
7 - 116 psi



(Ø 20)

