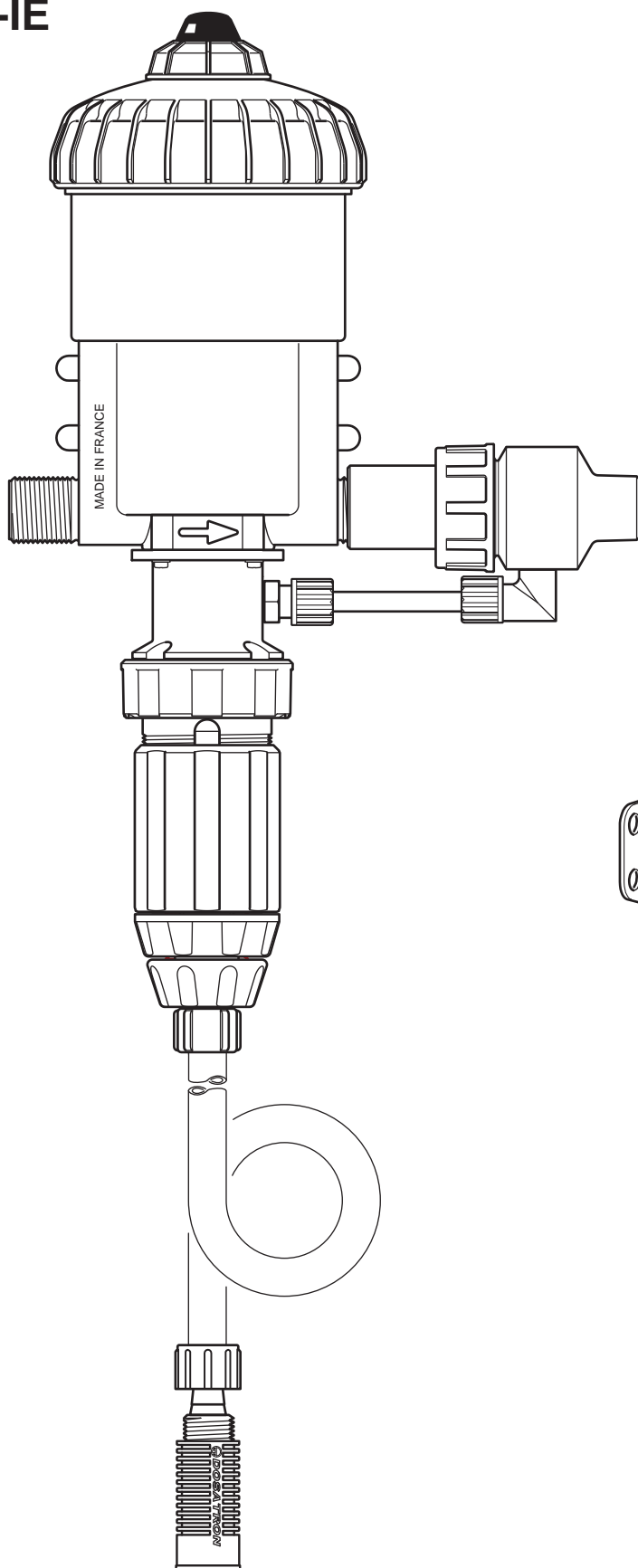


D25RE10-IE

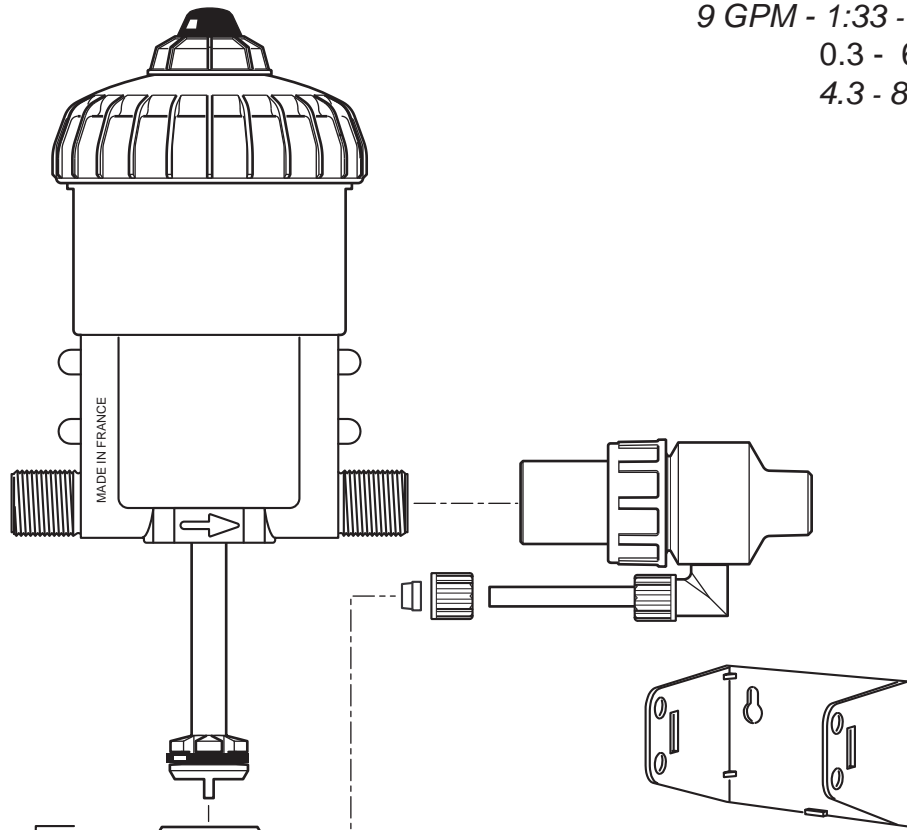
2 m³/h - 3 - 10%
9 GPM - 1:33 - 1:10
0.3 - 6 bar
4.3 - 85 psi



D25RE10-IE

2 m³/h - 3 - 10%
9 GPM - 1:33 - 1:10
0.3 - 6 bar
4.3 - 85 psi

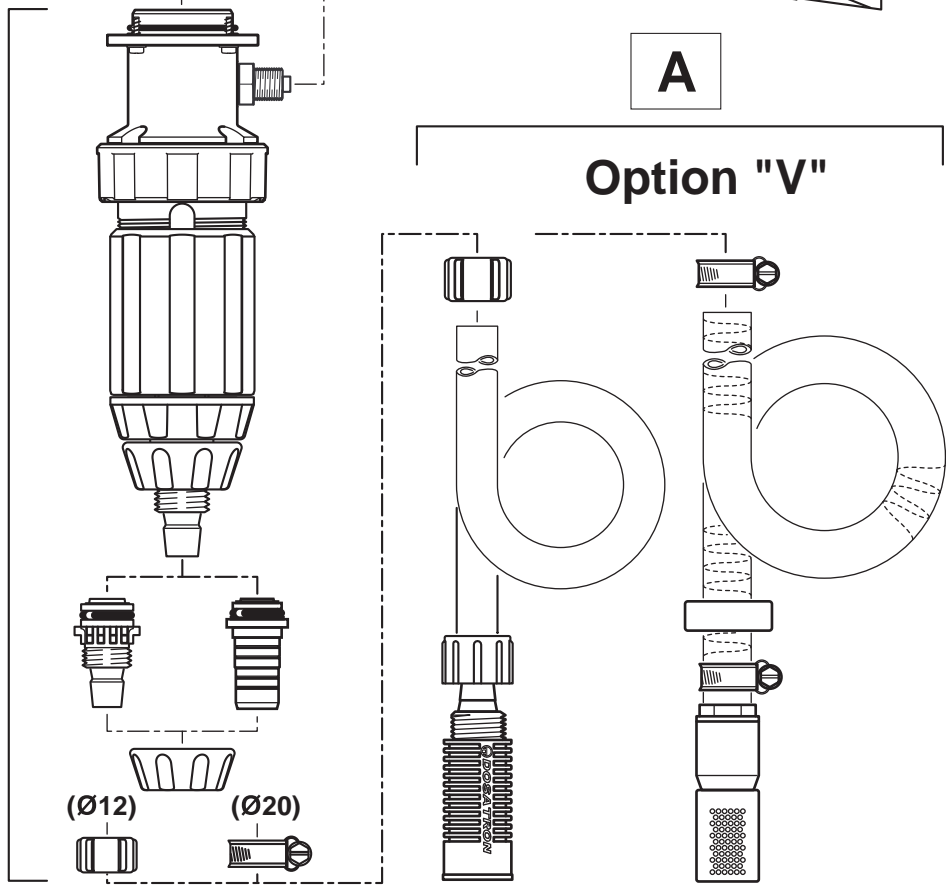
C+M



A

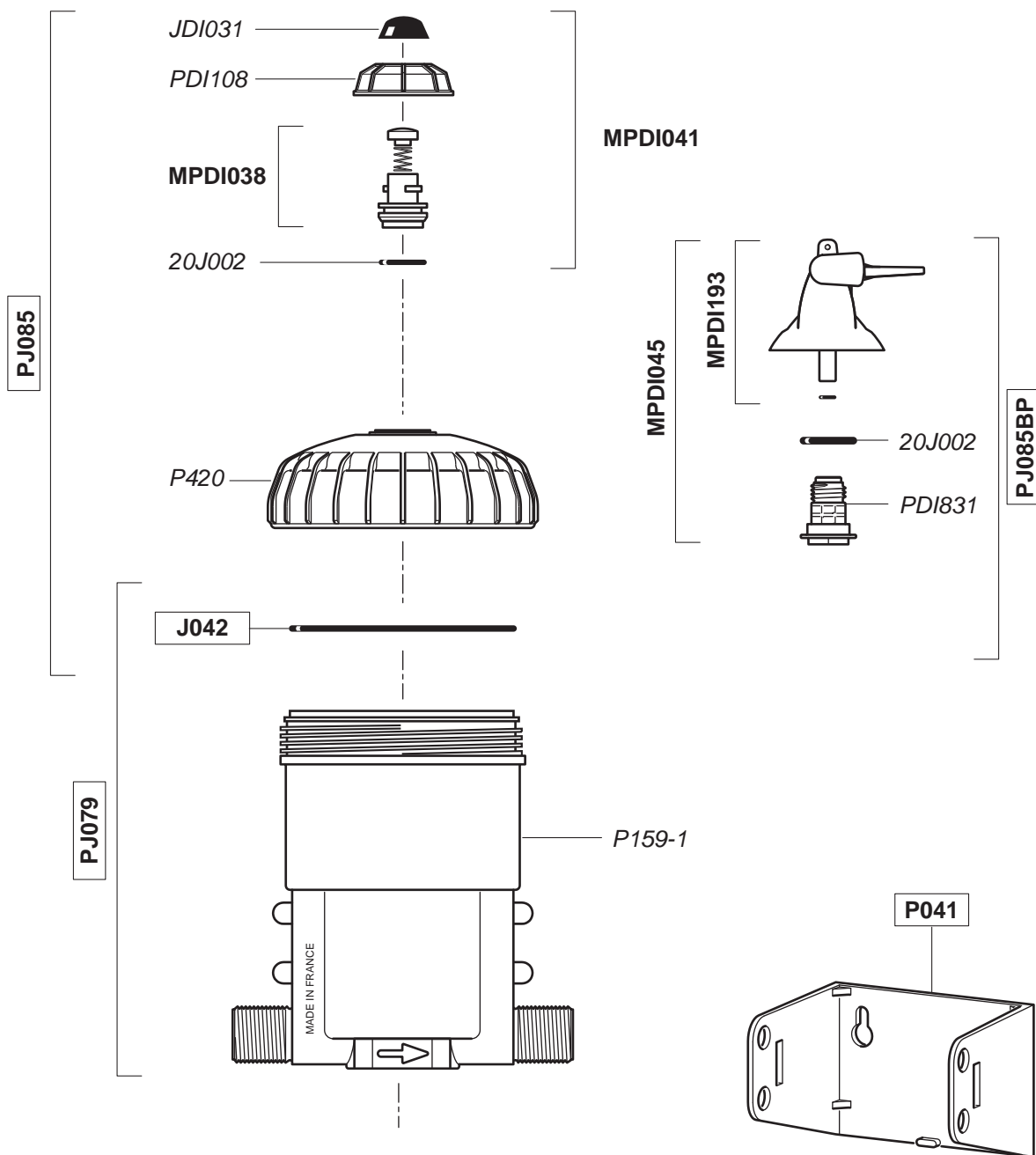
Option "V"

D+IE



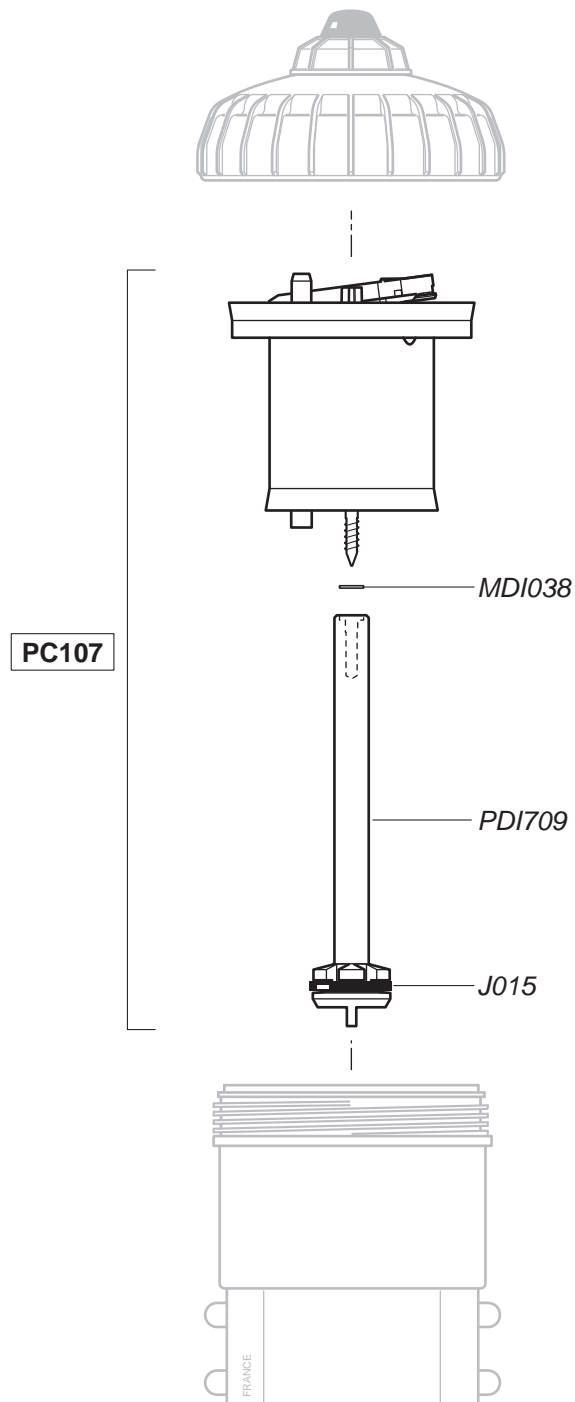
D25RE10-IE

2 m³/h - 3 - 10%
 9 GPM - 1:33 - 1:10
 0.3 - 6 bar
 4.3 - 85 psi



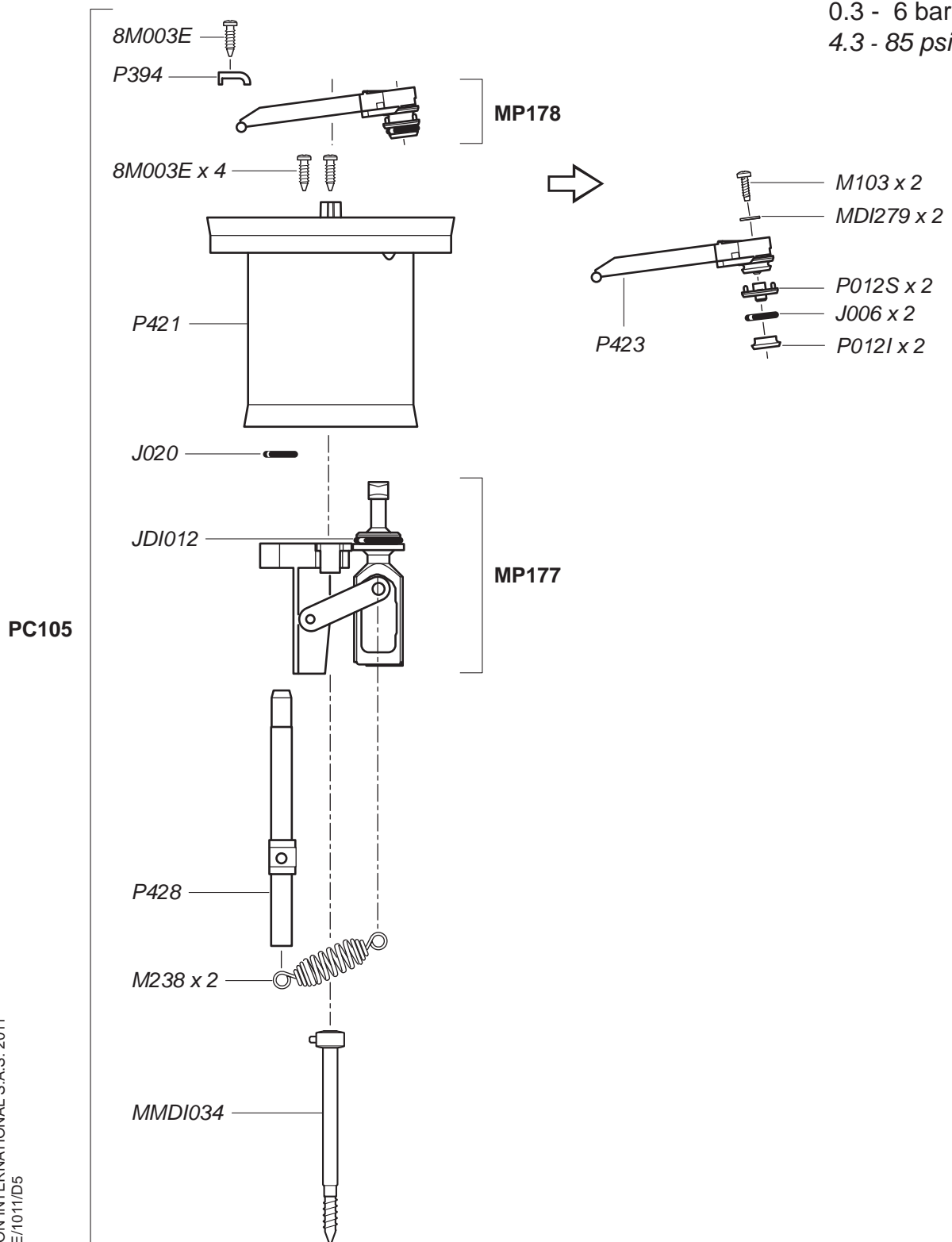
D25RE10-IE

2 m³/h - 3 - 10%
9 GPM - 1:33 - 1:10
0.3 - 6 bar
4.3 - 85 psi



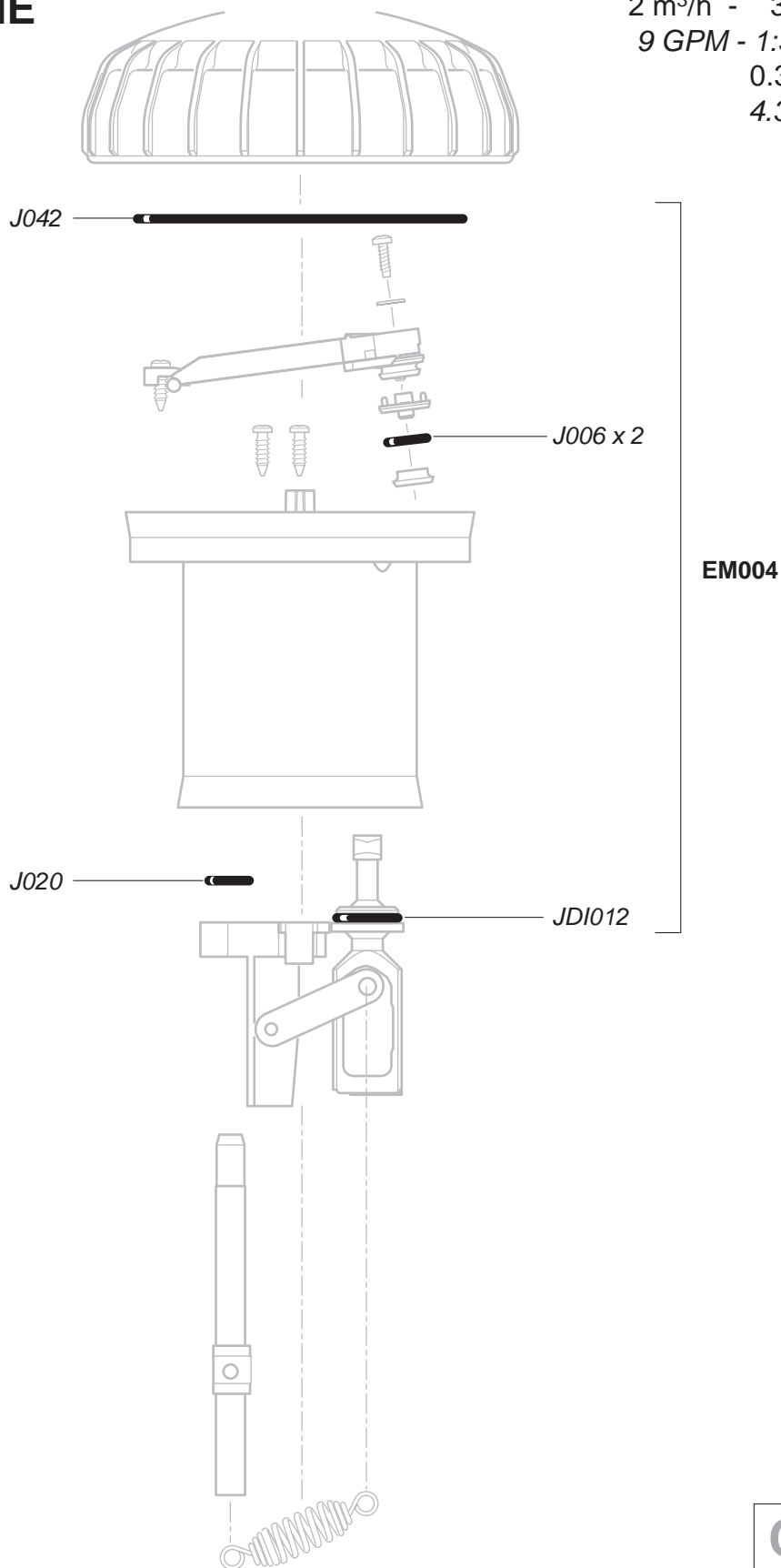
D25RE10-IE

2 m³/h - 3 - 10%
 9 GPM - 1:33 - 1:10
 0.3 - 6 bar
 4.3 - 85 psi



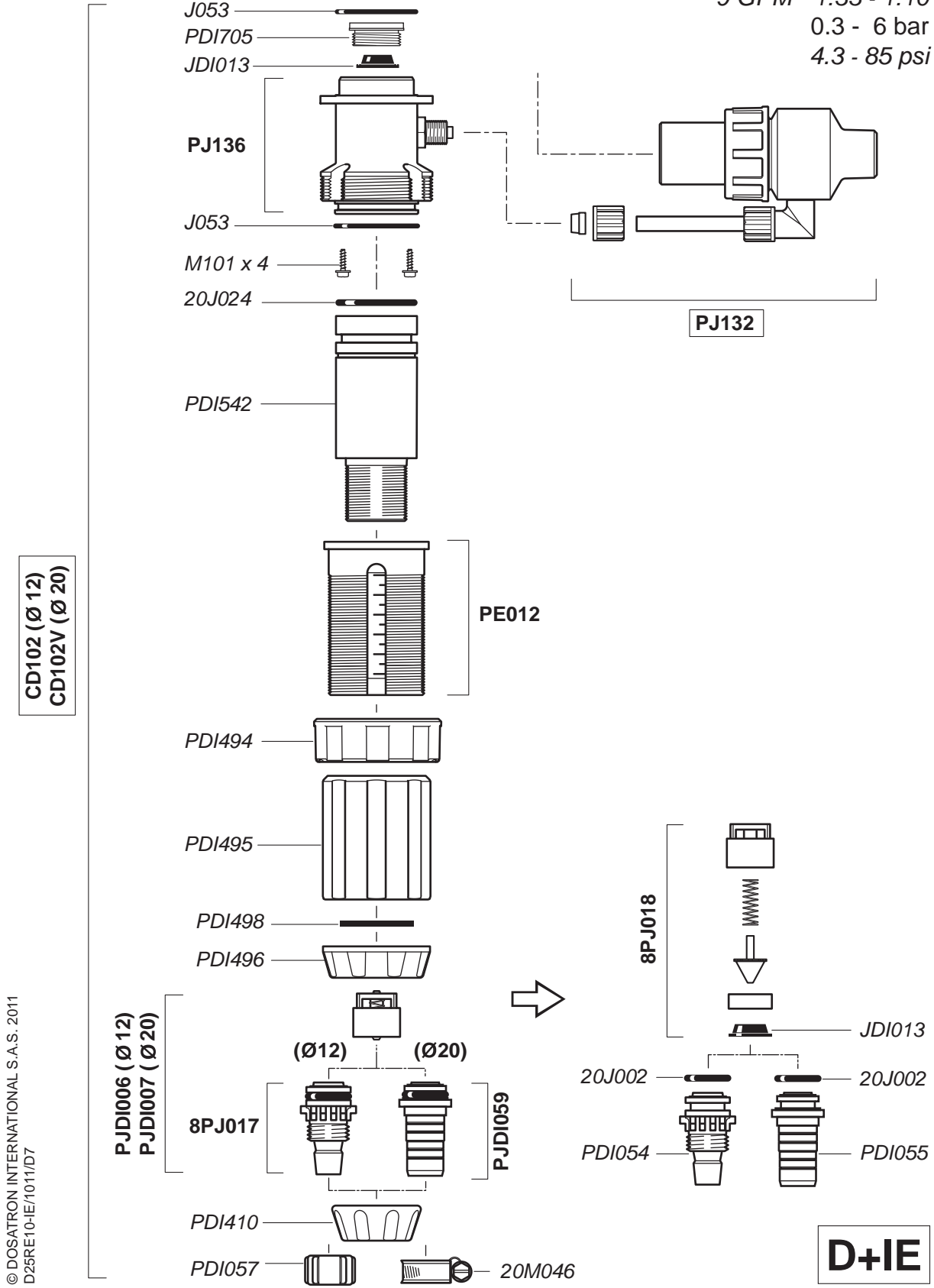
D25RE10-IE

2 m³/h - 3 - 10%
9 GPM - 1:33 - 1:10
0.3 - 6 bar
4.3 - 85 psi



D25RE10-IE

2 m³/h - 3 - 10%
 9 GPM - 1:33 - 1:10
 0.3 - 6 bar
 4.3 - 85 psi

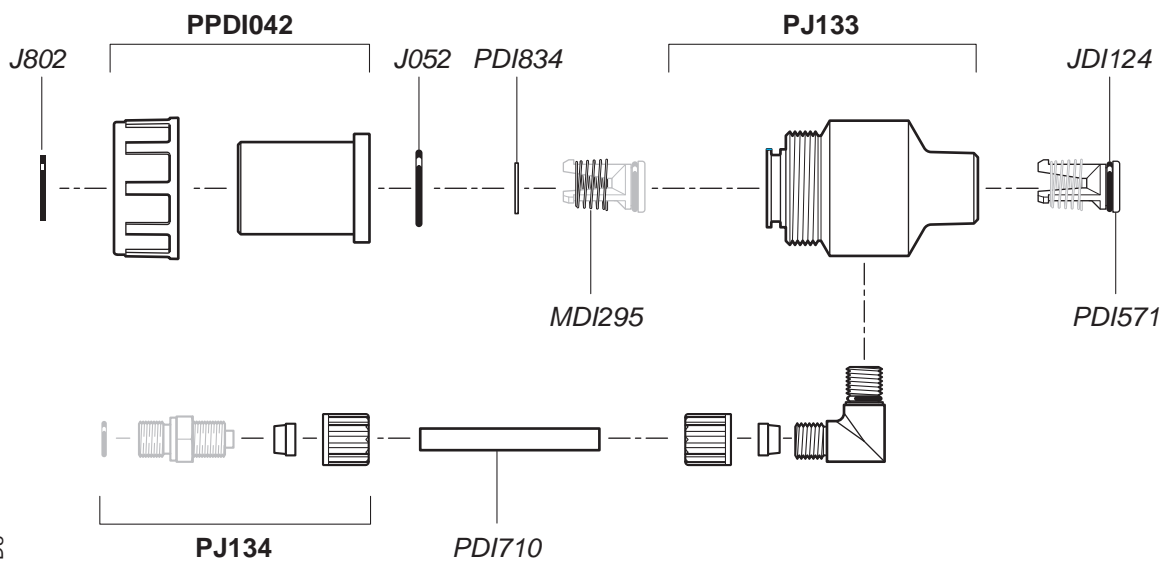
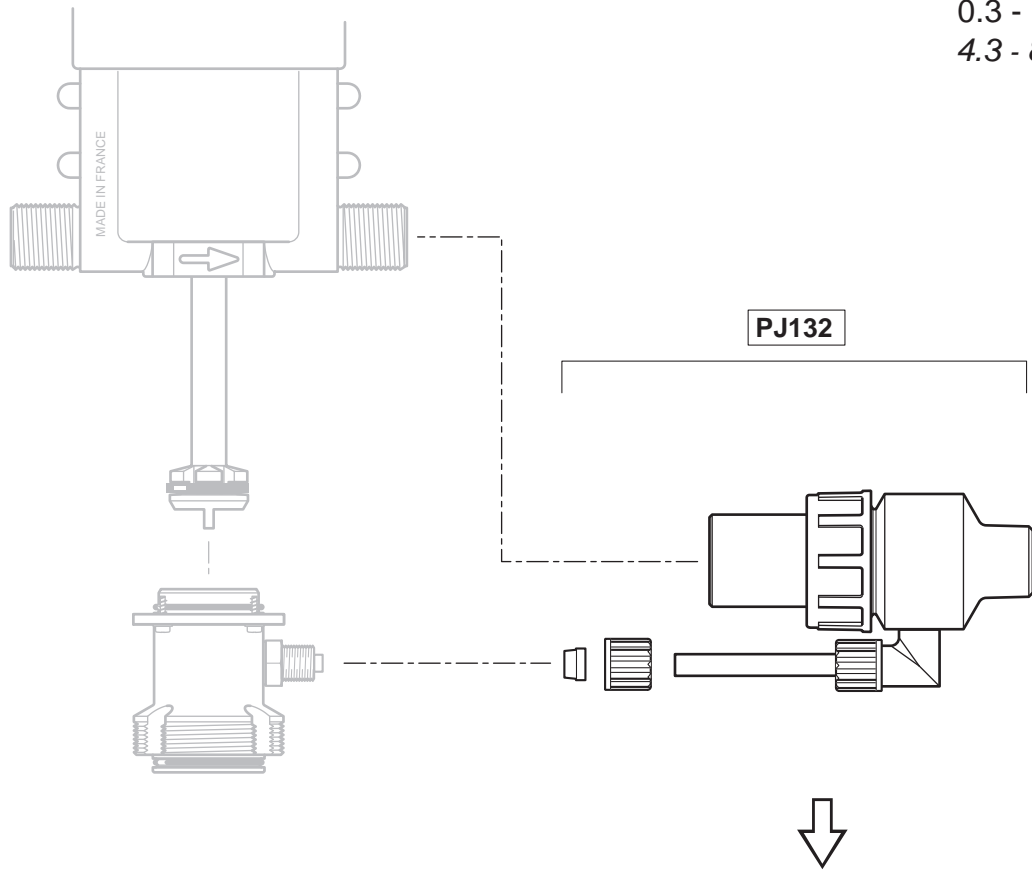


© DOSATRON INTERNATIONAL S.A.S. 2011
 D25RE10-IE/1011/D7

D+IE

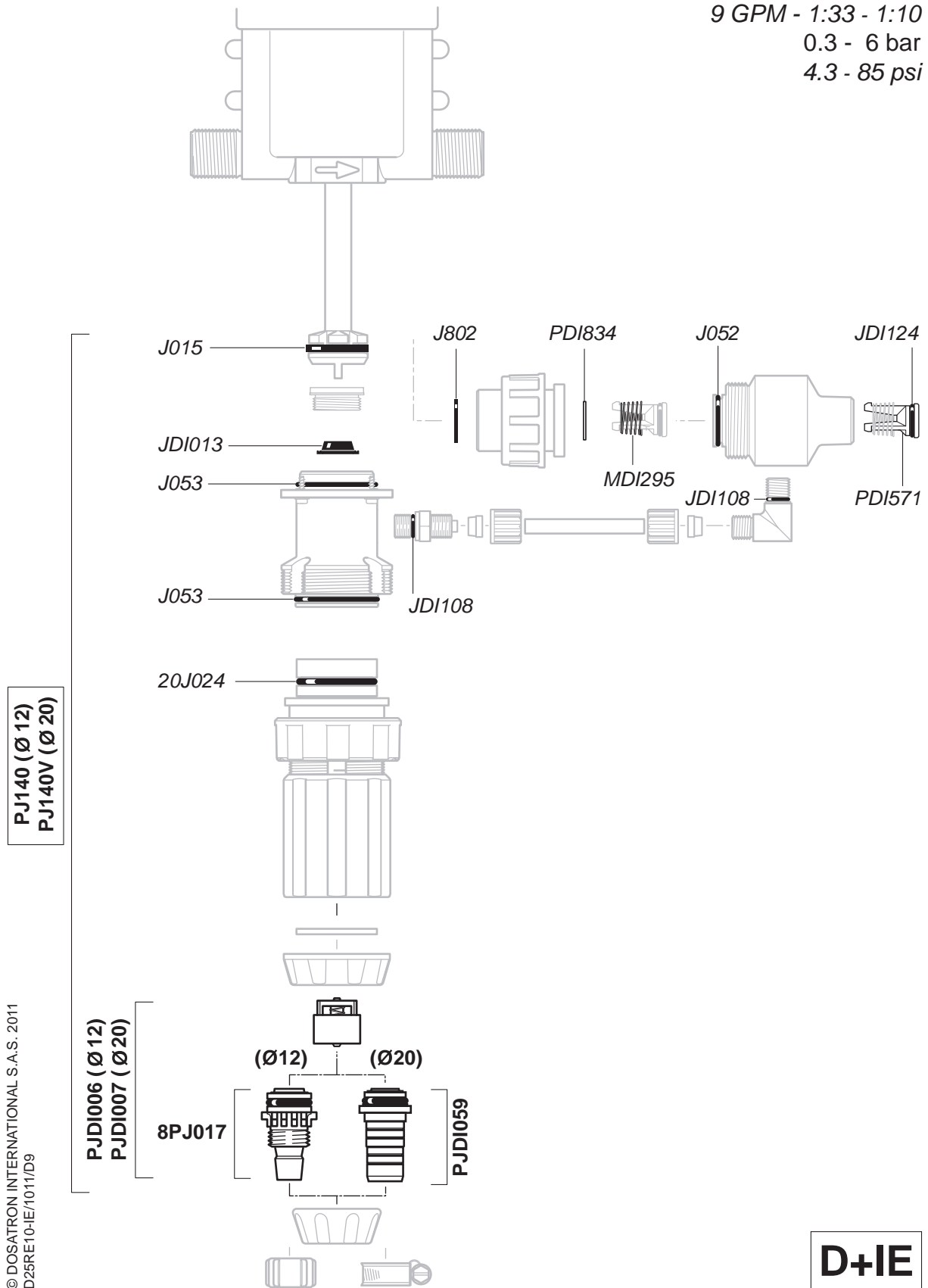
D25RE10-IE

2 m³/h - 3 - 10%
 9 GPM - 1:33 - 1:10
 0.3 - 6 bar
 4.3 - 85 psi



D25RE10-IE

2 m³/h - 3 - 10%
 9 GPM - 1:33 - 1:10
 0.3 - 6 bar
 4.3 - 85 psi

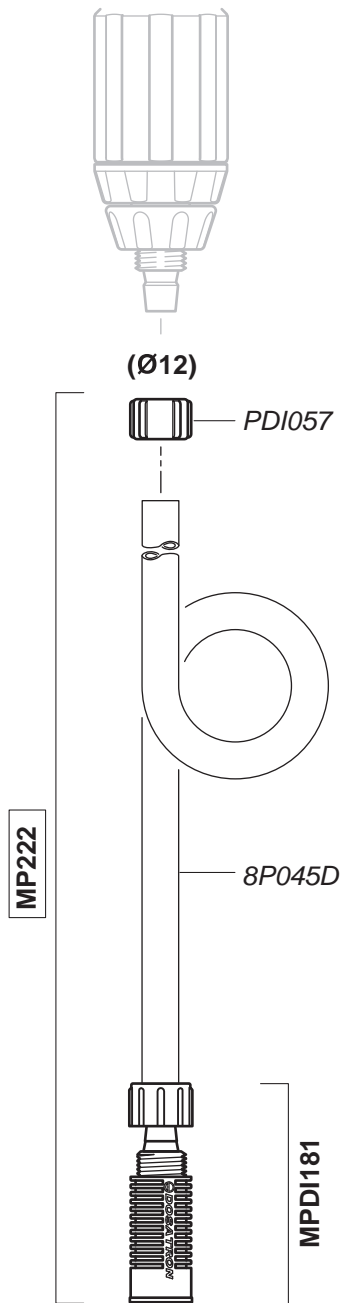


© DOSATRON INTERNATIONAL S.A.S. 2011
 D25RE10-IE/1011/D9

D+IE

D25RE10-IE

2 m³/h - 3 - 10%
9 GPM - 1:33 - 1:10
0.3 - 6 bar
4.3 - 85 psi



Option "V"

