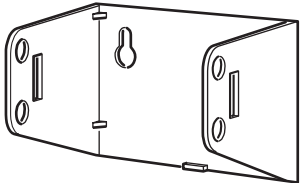
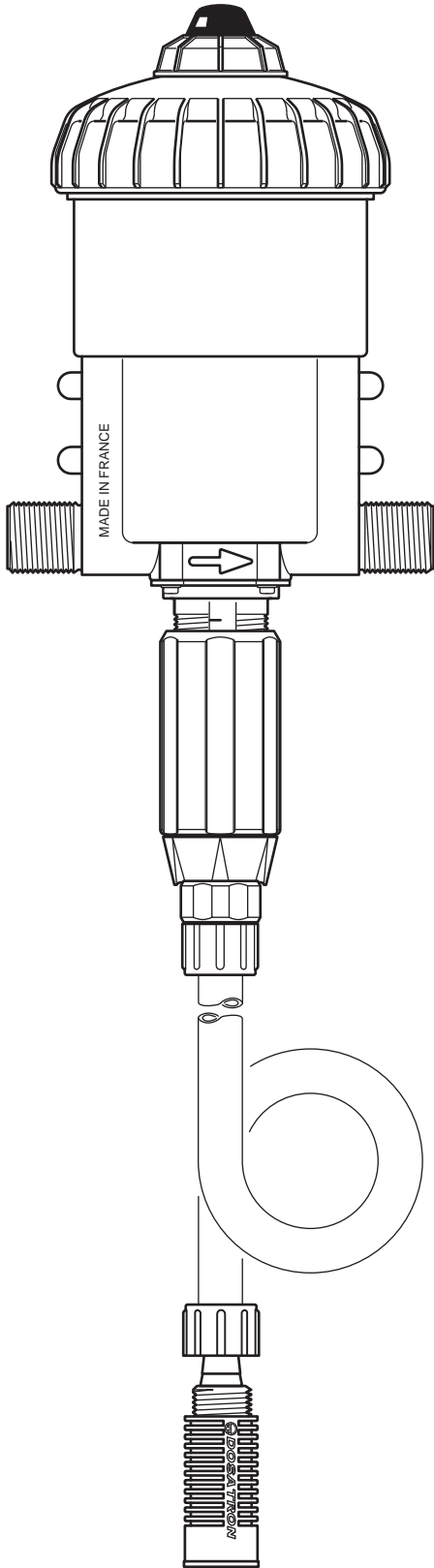


# D25RE4

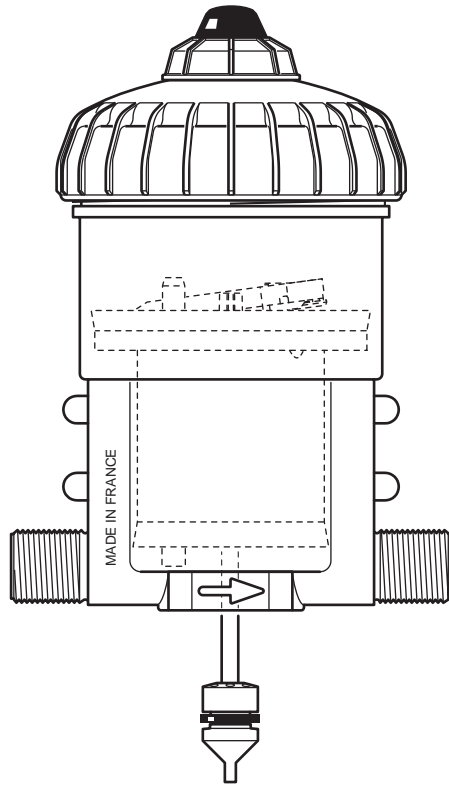
2.5 m<sup>3</sup>/h - 0.5 - 4%  
11 GPM - 1:200 - 1:25  
0.3 - 6 bar  
4.3 - 85 psi



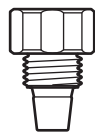
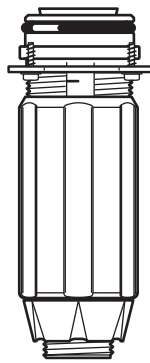
# D25RE4

2.5 m<sup>3</sup>/h - 0.5 - 4%  
11 GPM - 1:200 - 1:25  
0.3 - 6 bar  
4.3 - 85 psi

**C+M**



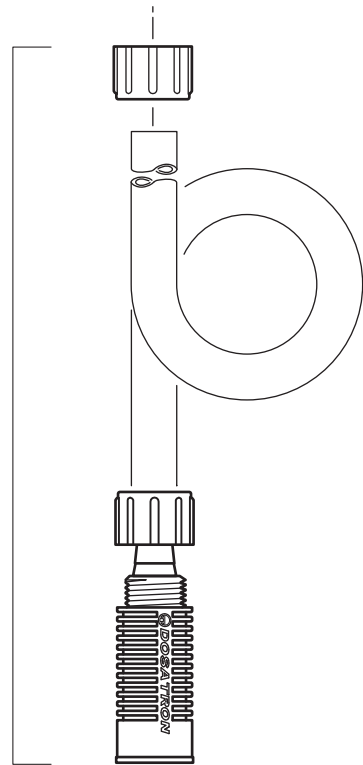
**D**



(Ø12)

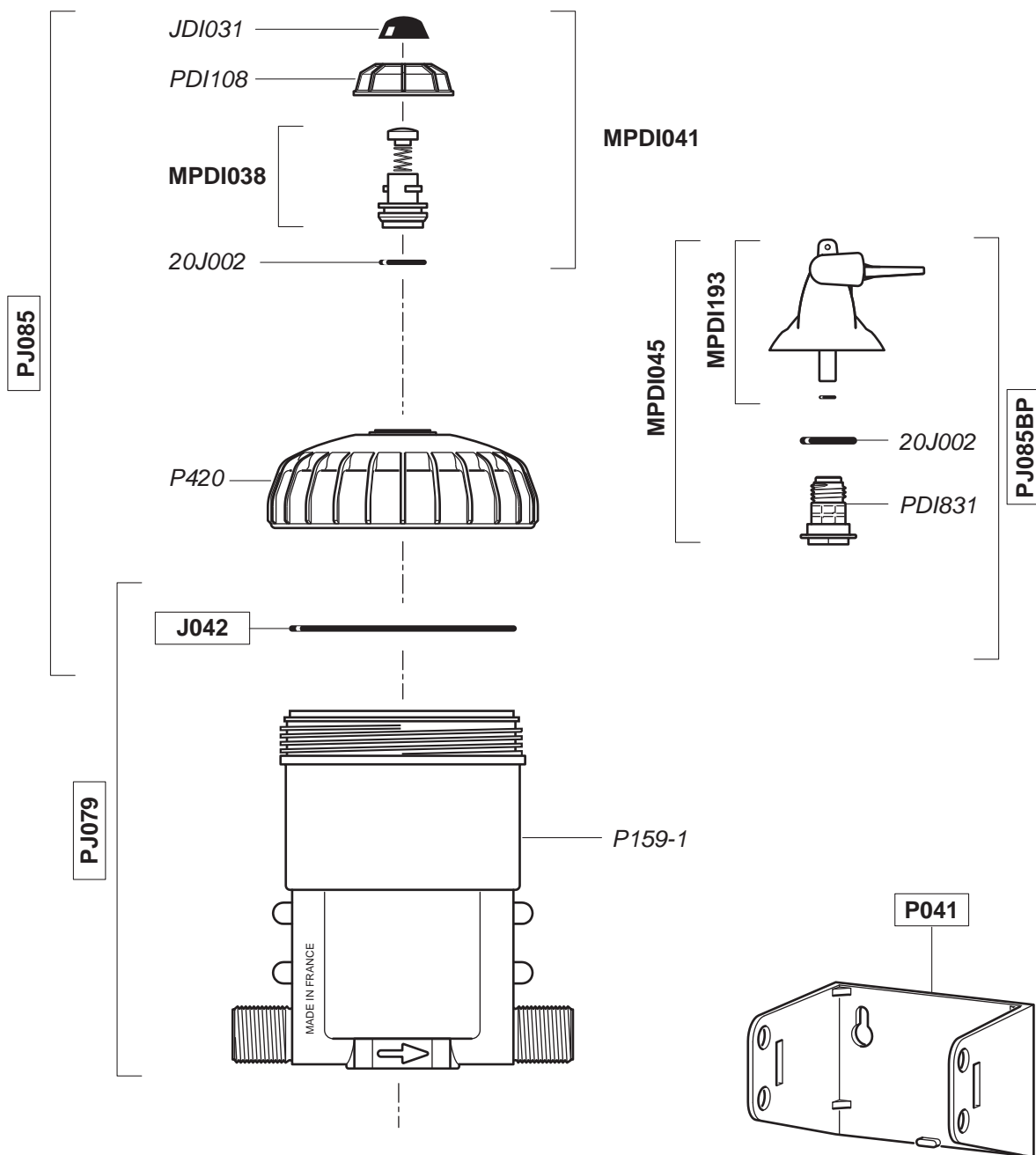


**A**



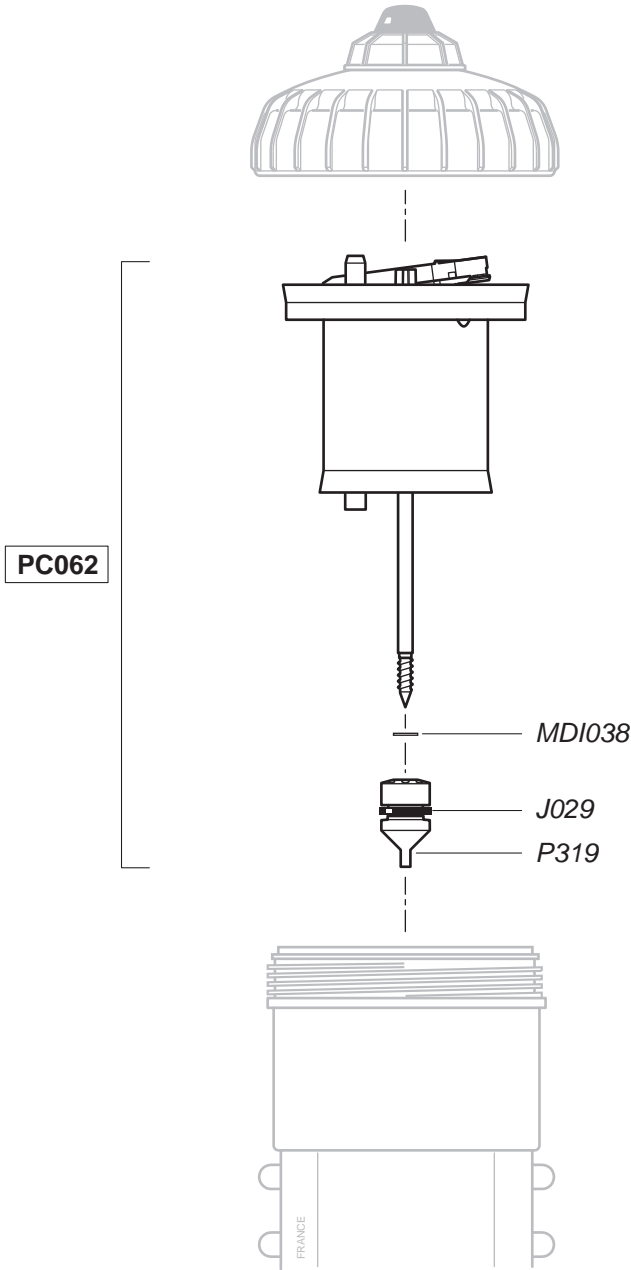
# D25RE4

2.5 m<sup>3</sup>/h - 0,5 - 4%  
 11 GPM - 1:200 - 1:25  
 0.3 - 6 bar  
 4.3 - 85 psi



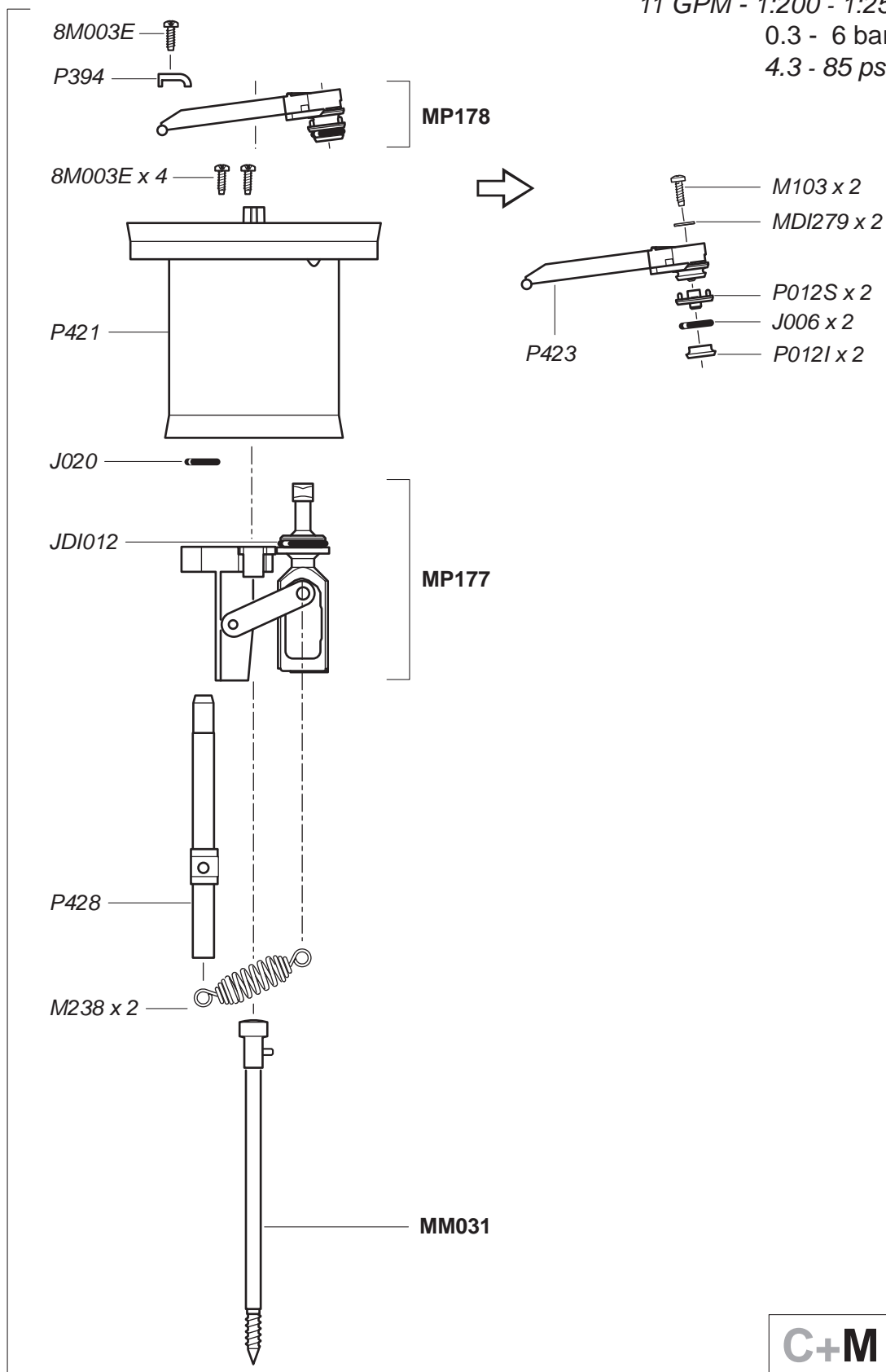
# D25RE4

2.5 m<sup>3</sup>/h - 0.5 - 4%  
11 GPM - 1:200 - 1:25  
0.3 - 6 bar  
4.3 - 85 psi



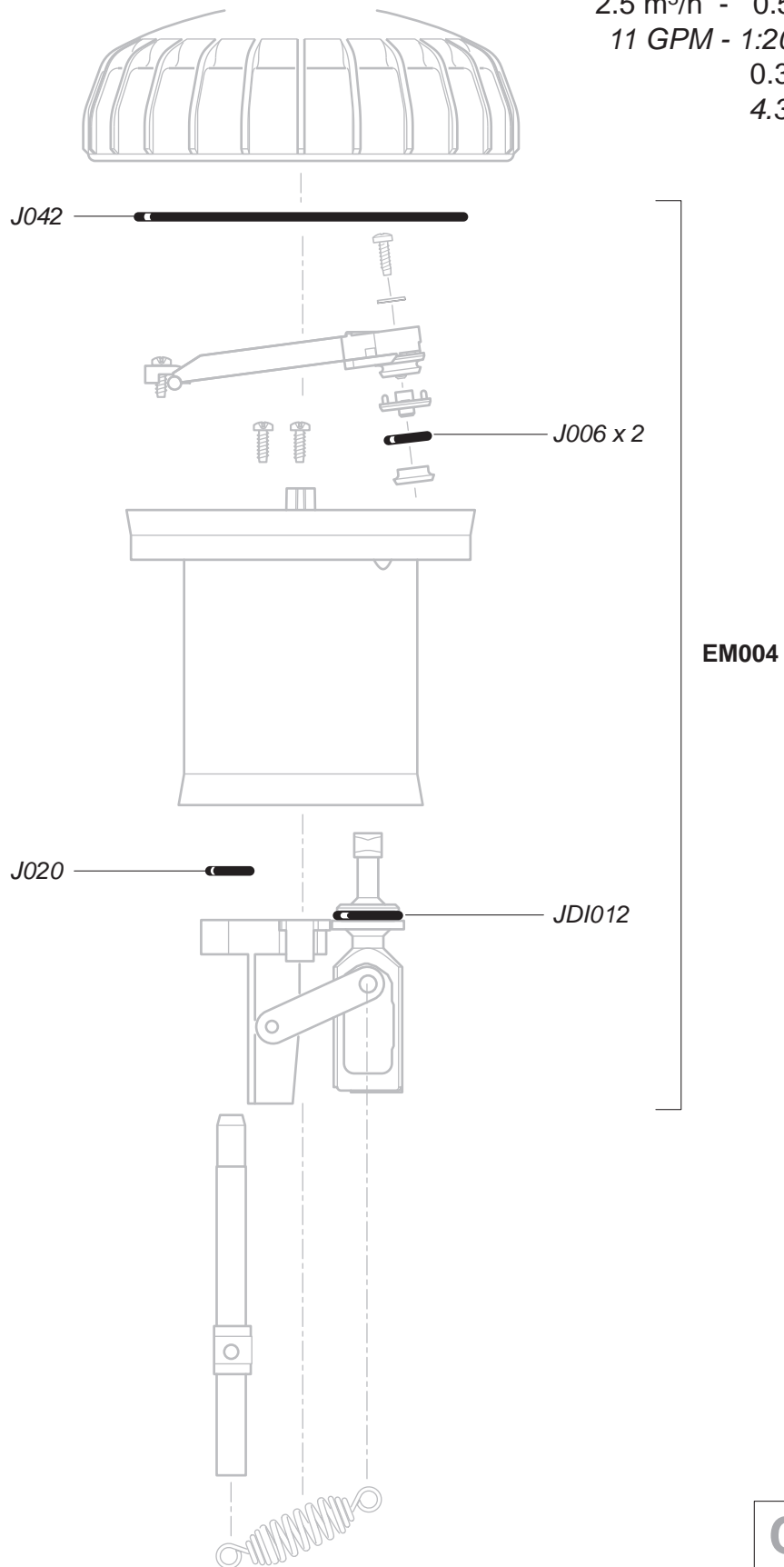
# D25RE4

2.5 m<sup>3</sup>/h - 0.5 - 4%  
 11 GPM - 1:200 - 1:25  
 0.3 - 6 bar  
 4.3 - 85 psi



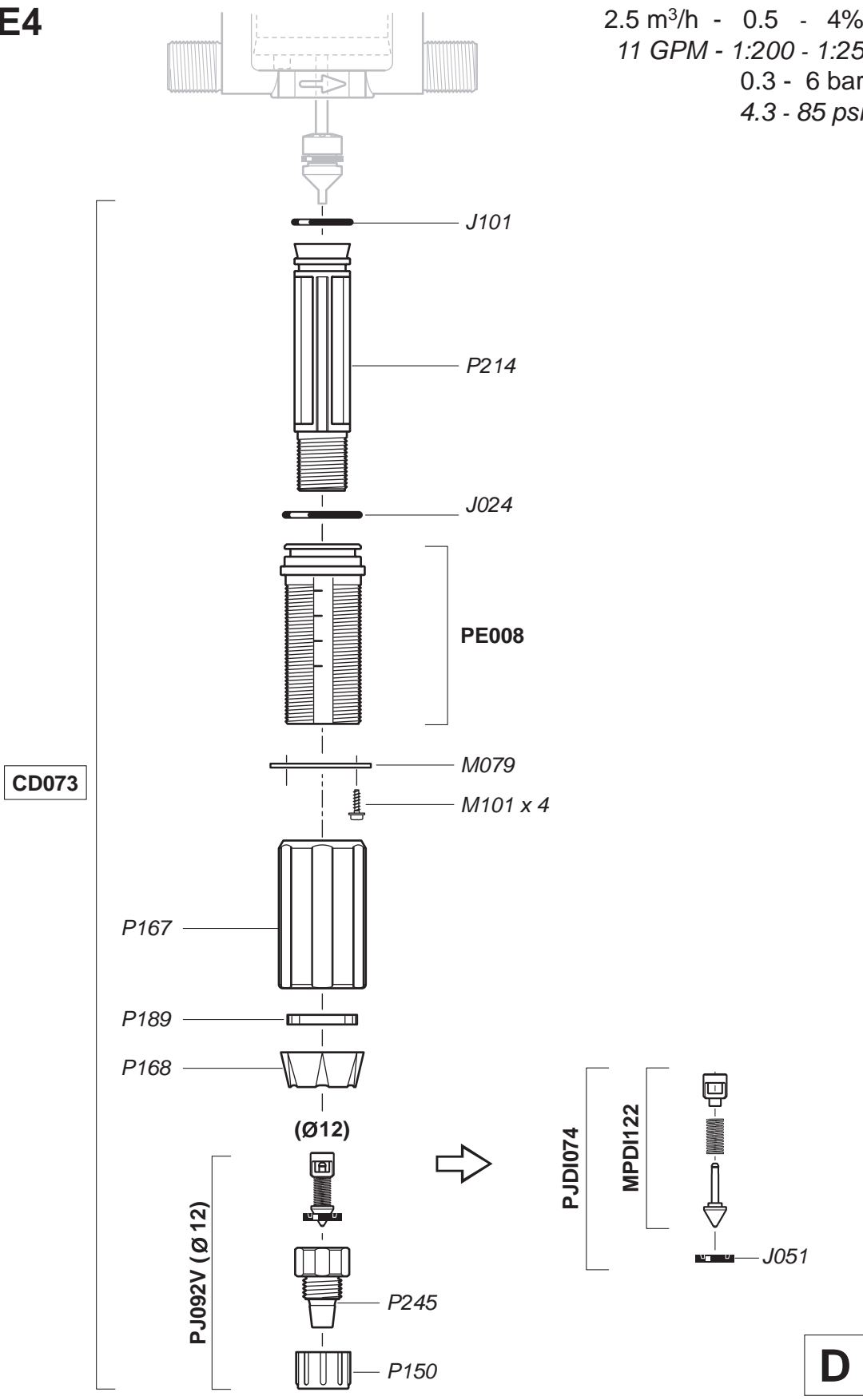
# D25RE4

2.5 m<sup>3</sup>/h - 0.5 - 4%  
11 GPM - 1:200 - 1:25  
0.3 - 6 bar  
4.3 - 85 psi



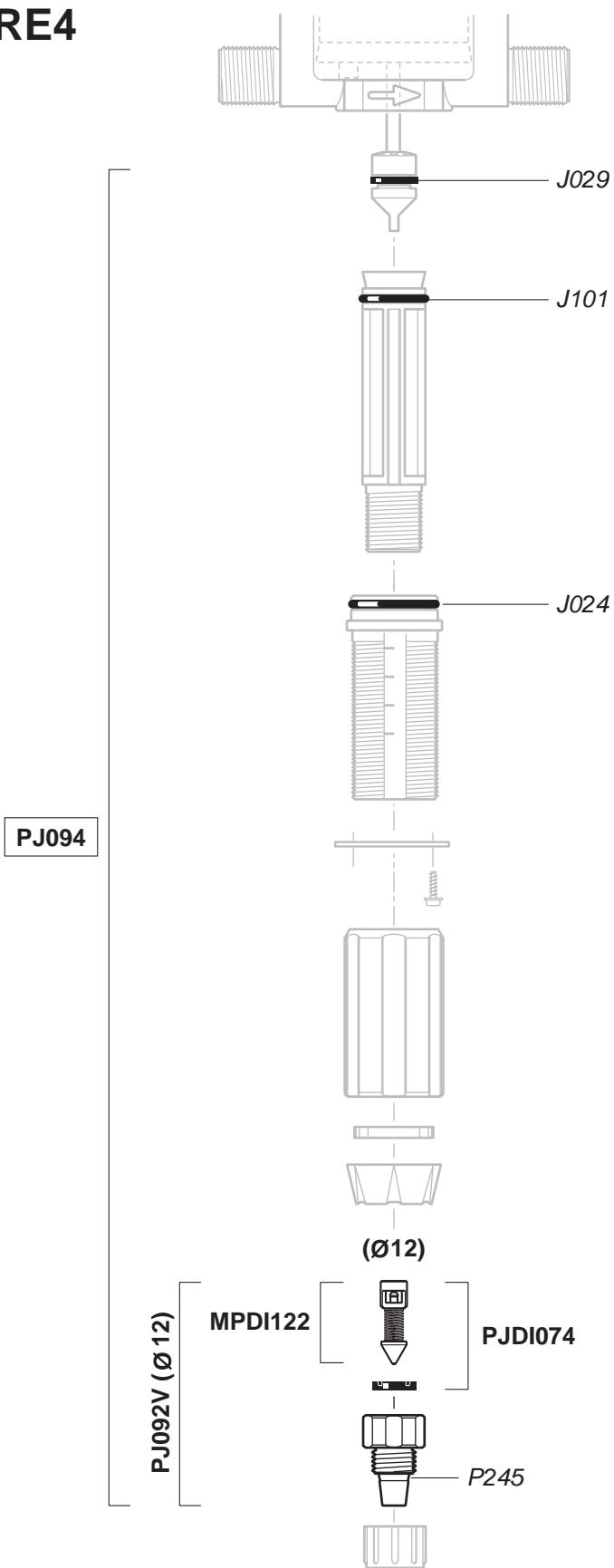
# D25RE4

2.5 m<sup>3</sup>/h - 0.5 - 4%  
 11 GPM - 1:200 - 1:25  
 0.3 - 6 bar  
 4.3 - 85 psi



# D25RE4

2.5 m<sup>3</sup>/h - 0.5 - 4%  
11 GPM - 1:200 - 1:25  
0.3 - 6 bar  
4.3 - 85 psi





# D25RE4

2.5 m<sup>3</sup>/h - 0.5 - 4%  
11 GPM - 1:200 - 1:25  
0.3 - 6 bar  
4.3 - 85 psi

