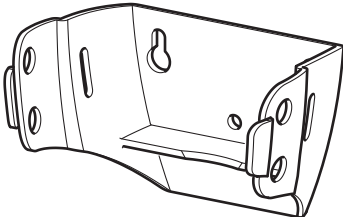
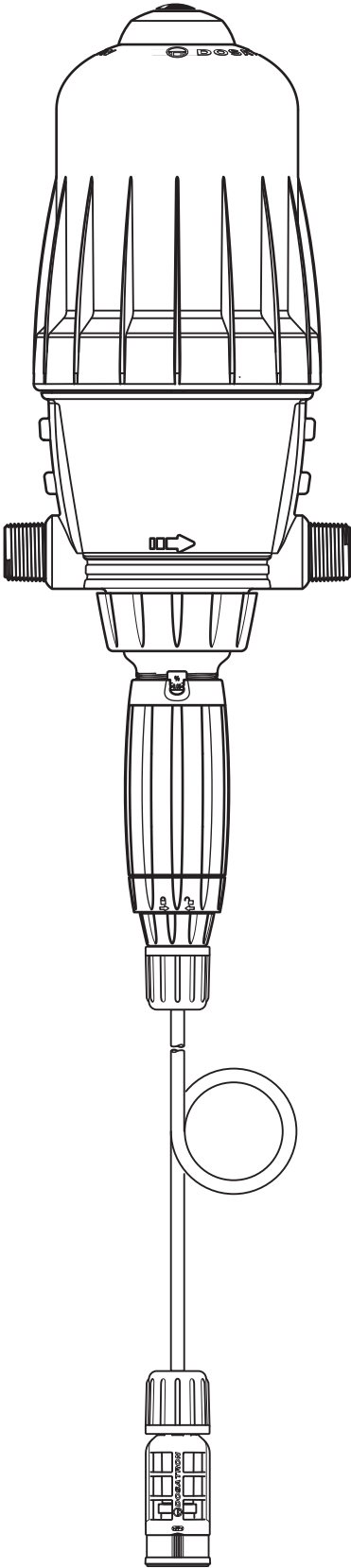


# D3GL3000

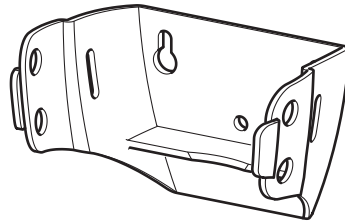
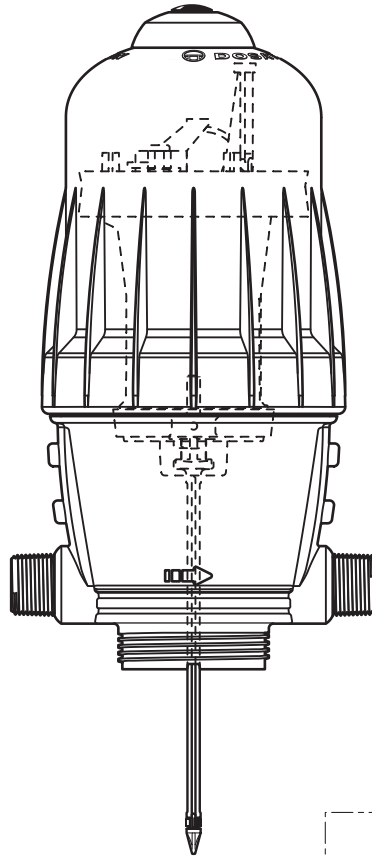
3 m<sup>3</sup>/h - 0.3 - 0.03%  
14 GPM - 1:333 - 1:3000  
0.3 - 6 bar  
4.3 - 85 psi



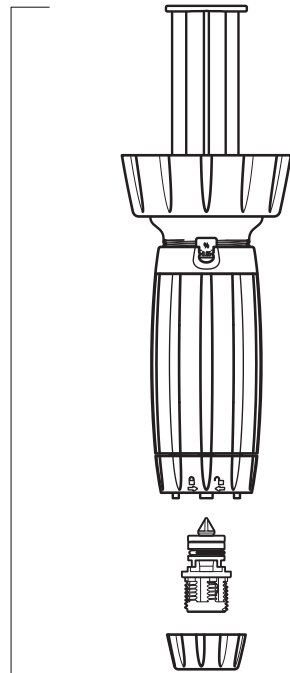
# D3GL3000

3 m<sup>3</sup>/h - 0.3 - 0.03%  
14 GPM - 1:333 - 1:3000  
0.3 - 6 bar  
4.3 - 85 psi

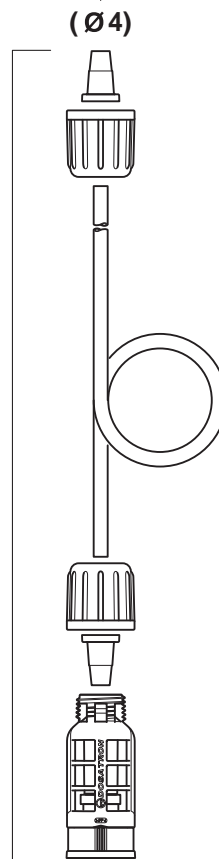
C+M



D

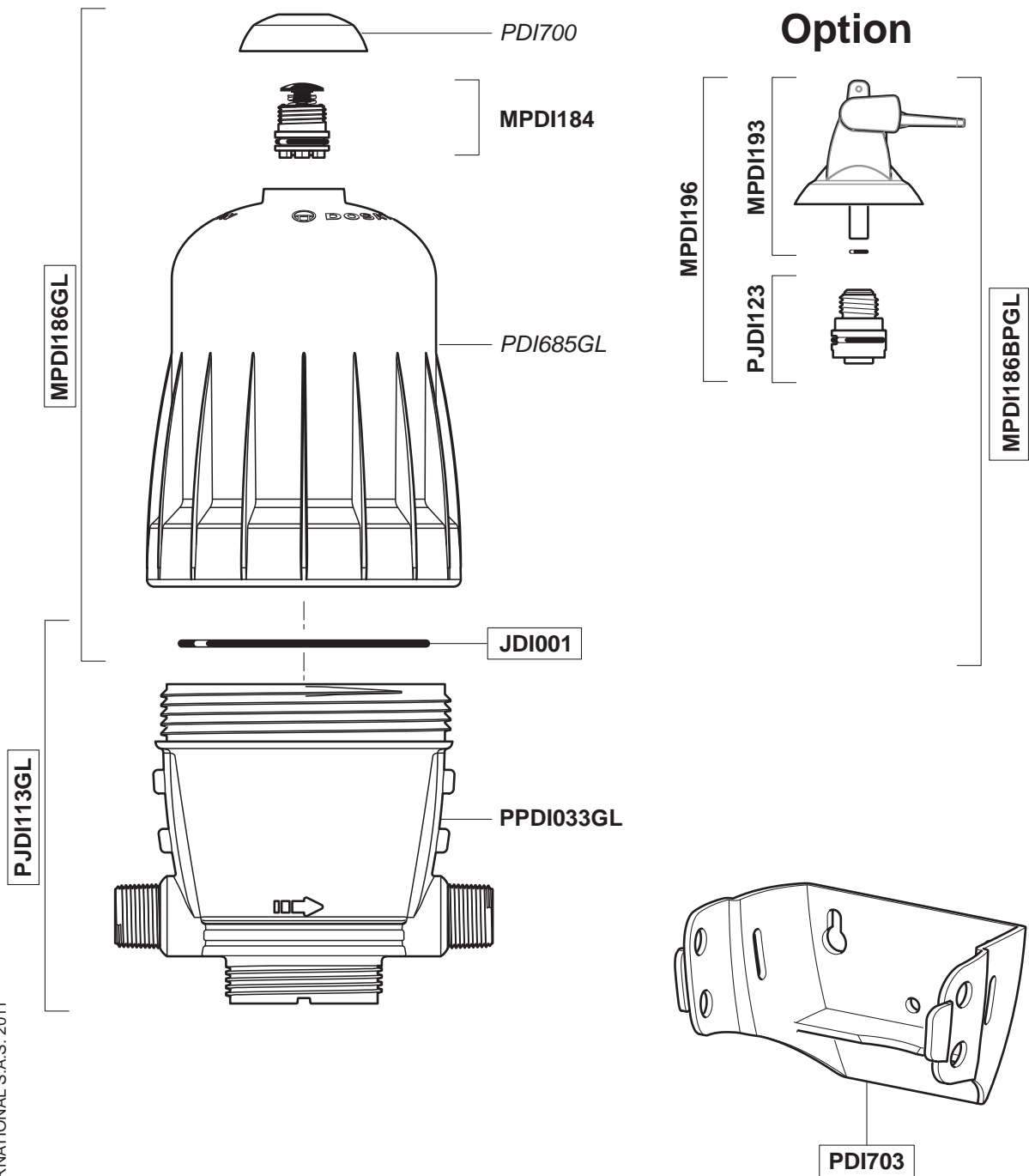


A



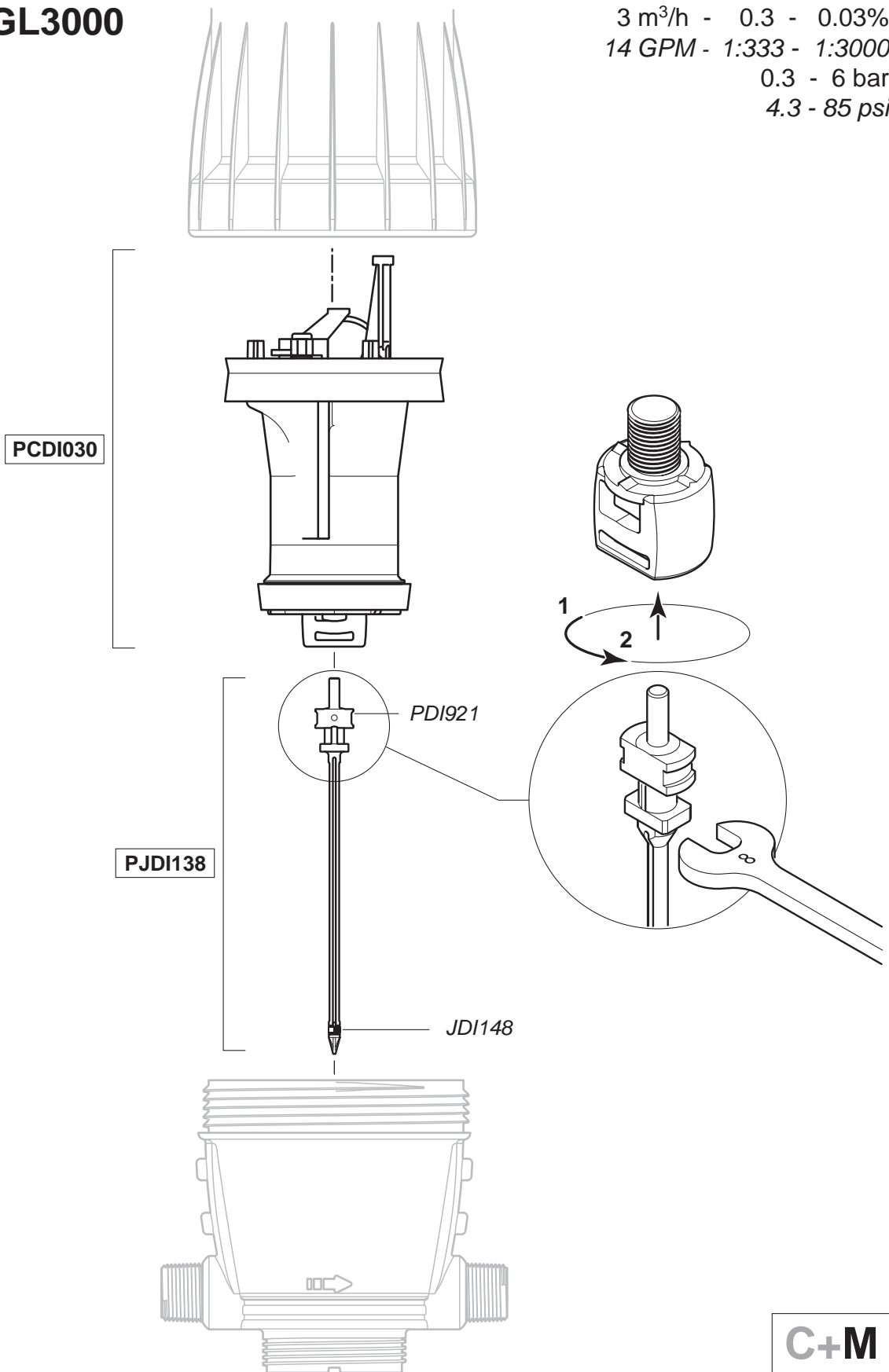
# D3GL3000

3 m<sup>3</sup>/h - 0.3 - 0.03%  
14 GPM - 1:333 - 1:3000  
0.3 - 6 bar  
4.3 - 85 psi



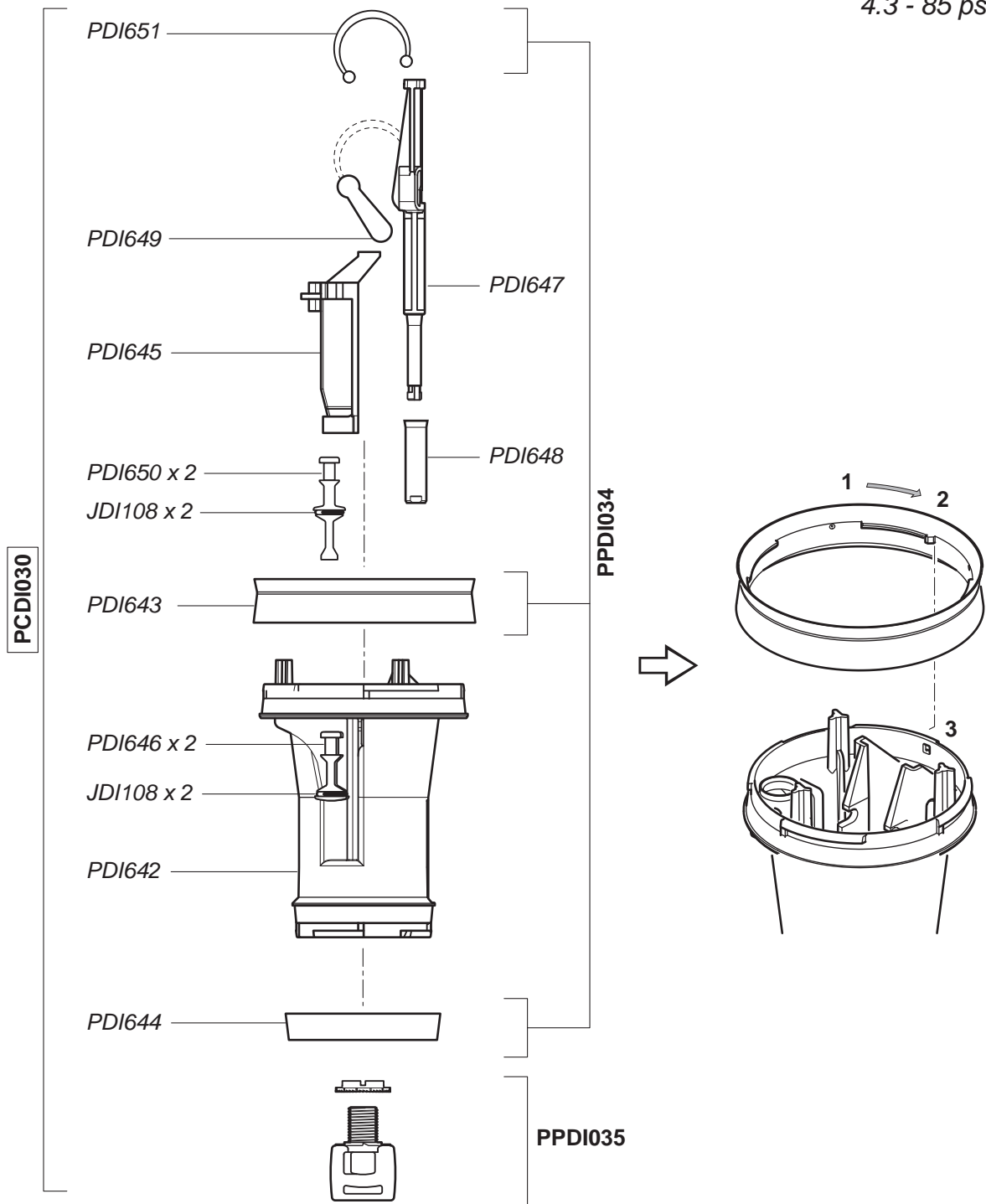
# D3GL3000

3 m<sup>3</sup>/h - 0.3 - 0.03%  
14 GPM - 1:333 - 1:3000  
0.3 - 6 bar  
4.3 - 85 psi



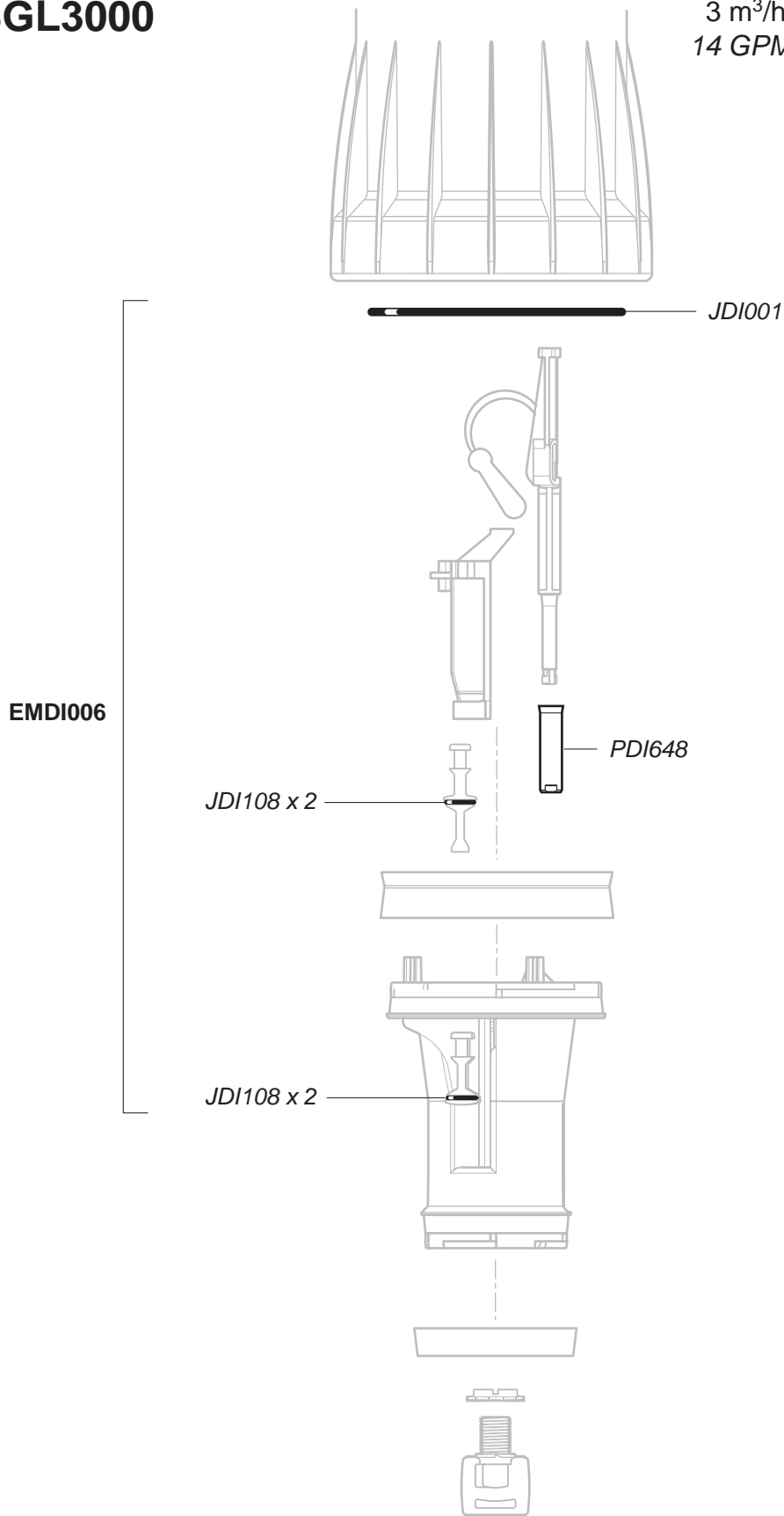
# D3GL3000

3 m<sup>3</sup>/h - 0.3 - 0.03%  
 14 GPM - 1:333 - 1:3000  
 0.3 - 6 bar  
 4.3 - 85 psi



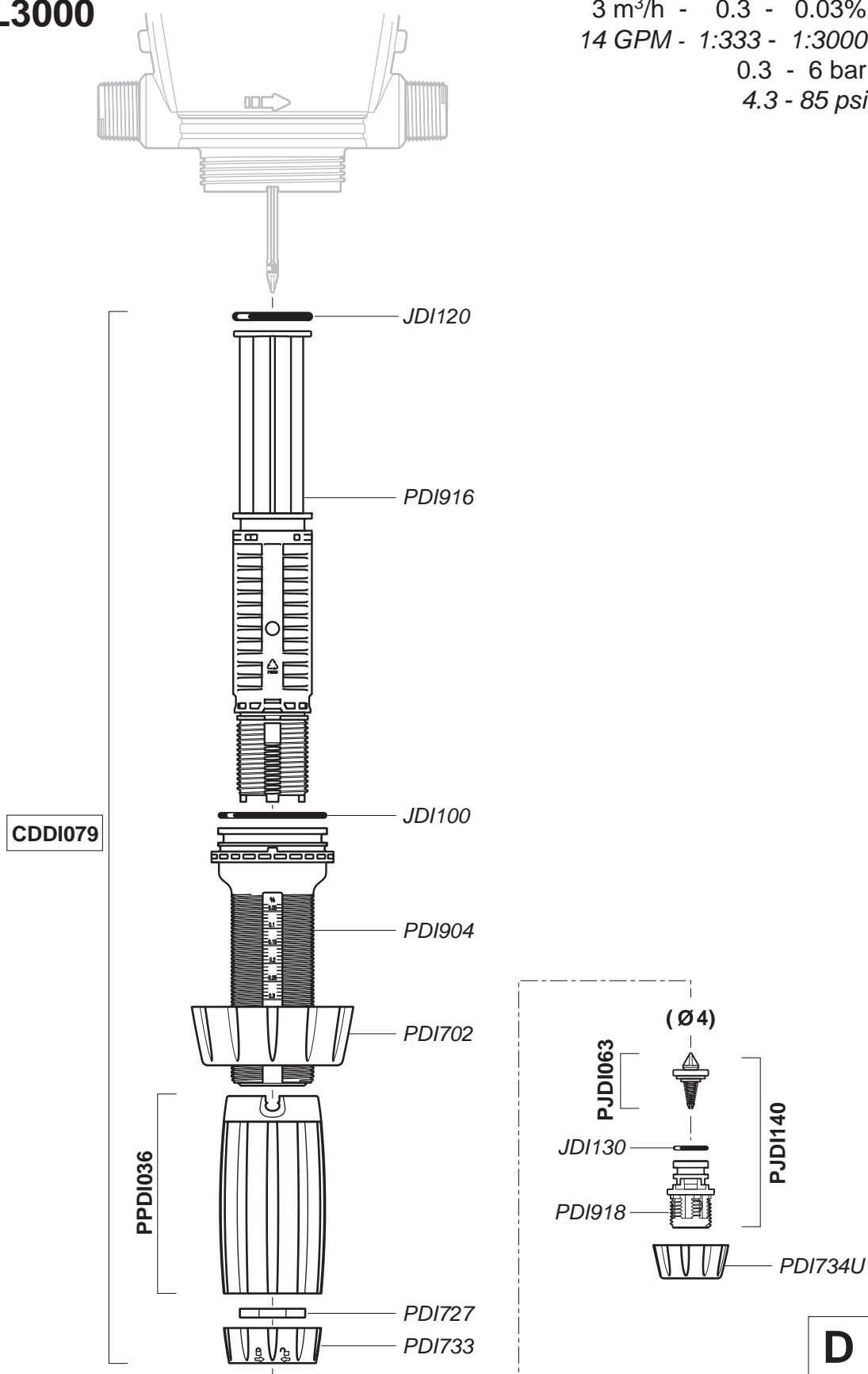
# D3GL3000

3 m<sup>3</sup>/h - 0.3 - 0.03%  
14 GPM - 1:333 - 1:3000  
0.3 - 6 bar  
4.3 - 85 psi



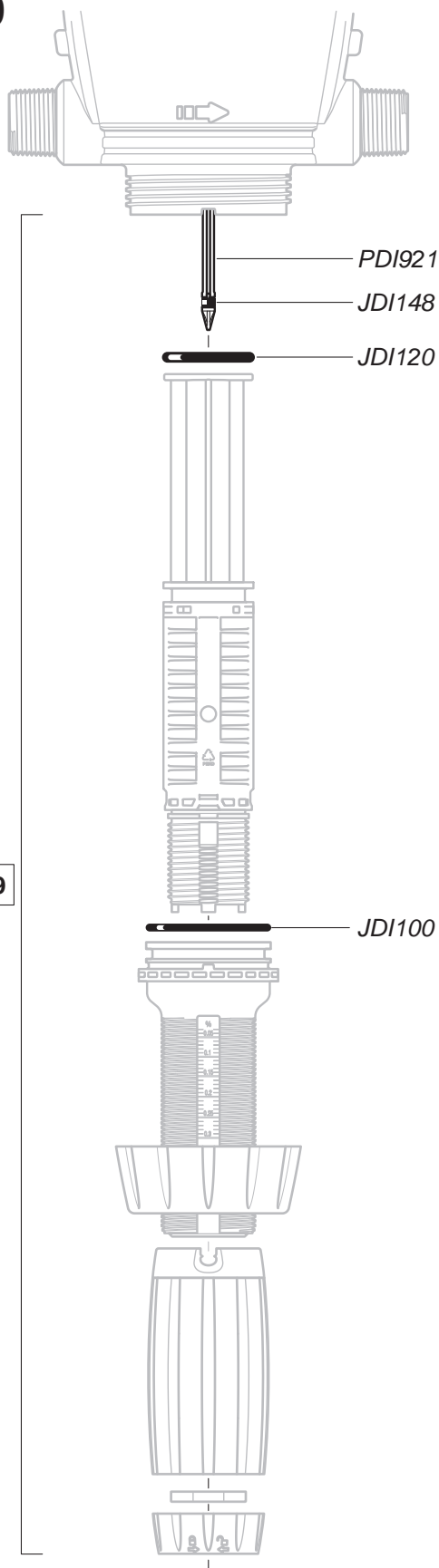
# D3GL3000

3 m<sup>3</sup>/h - 0.3 - 0.03%  
 14 GPM - 1:333 - 1:3000  
 0.3 - 6 bar  
 4.3 - 85 psi



# D3GL3000

3 m<sup>3</sup>/h - 0.3 - 0.03%  
14 GPM - 1:333 - 1:3000  
0.3 - 6 bar  
4.3 - 85 psi



PJD1139

PDI921

JDI148

JDI120

JDI100

(Ø4)

PJD1140

D



# D3GL3000

3 m<sup>3</sup>/h - 0.3 - 0.03%  
14 GPM - 1:333 - 1:3000  
0.3 - 6 bar  
4.3 - 85 psi

