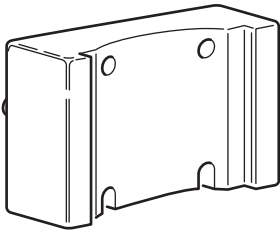
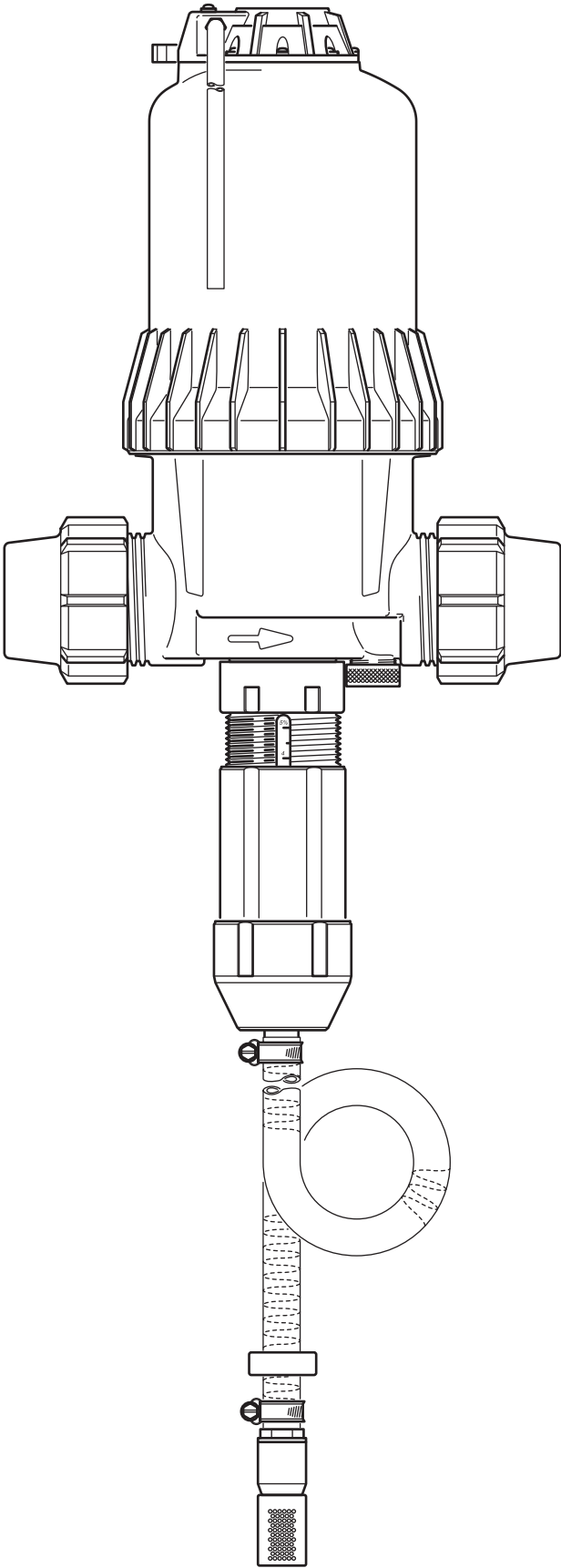


D8R150

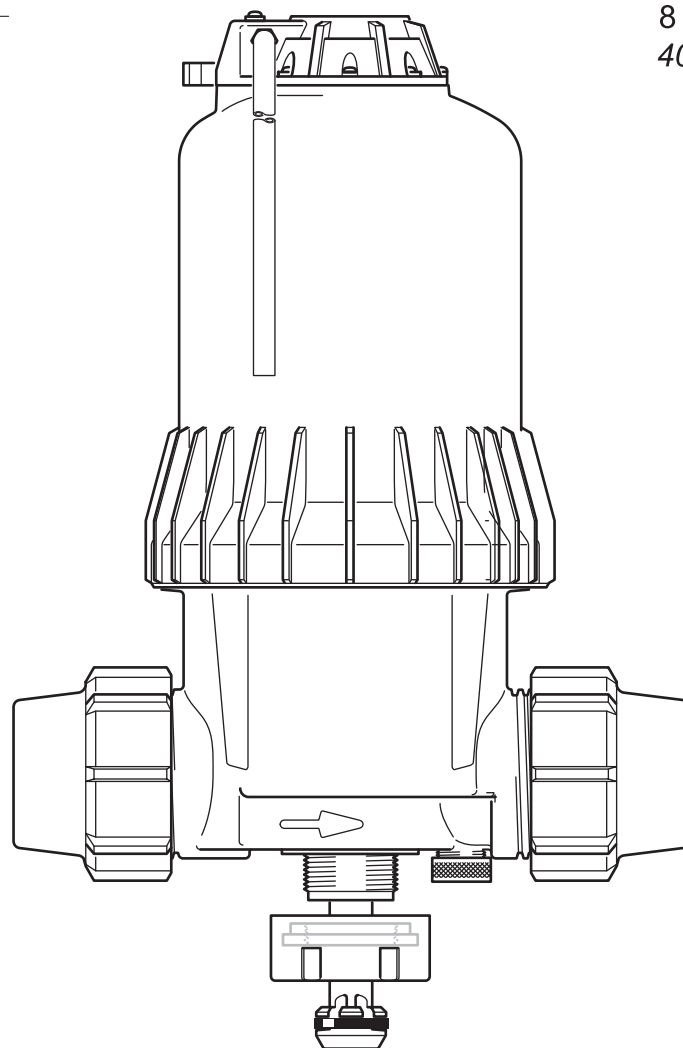
8 m³/h - 1 - 5%
40 GPM - 1:100 - 1:20
0.15 - 8 bar
2.2 - 116 psi



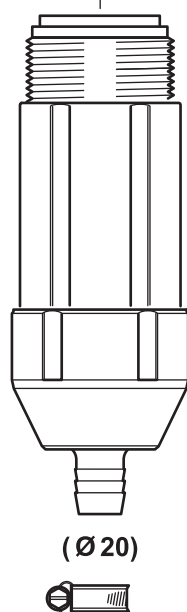
D8R150

8 m³/h - 1 - 5%
40 GPM - 1:100 - 1:20
0.15 - 8 bar
2.2 - 116 psi

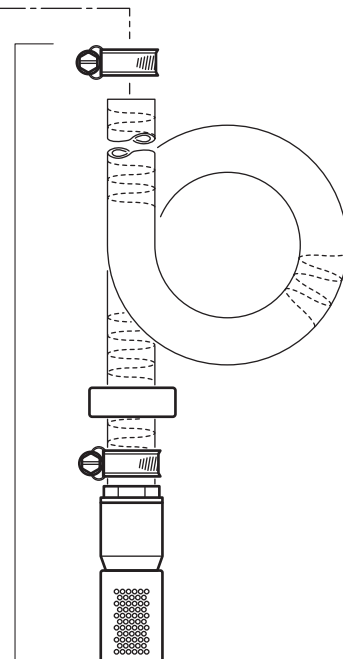
C+M



D

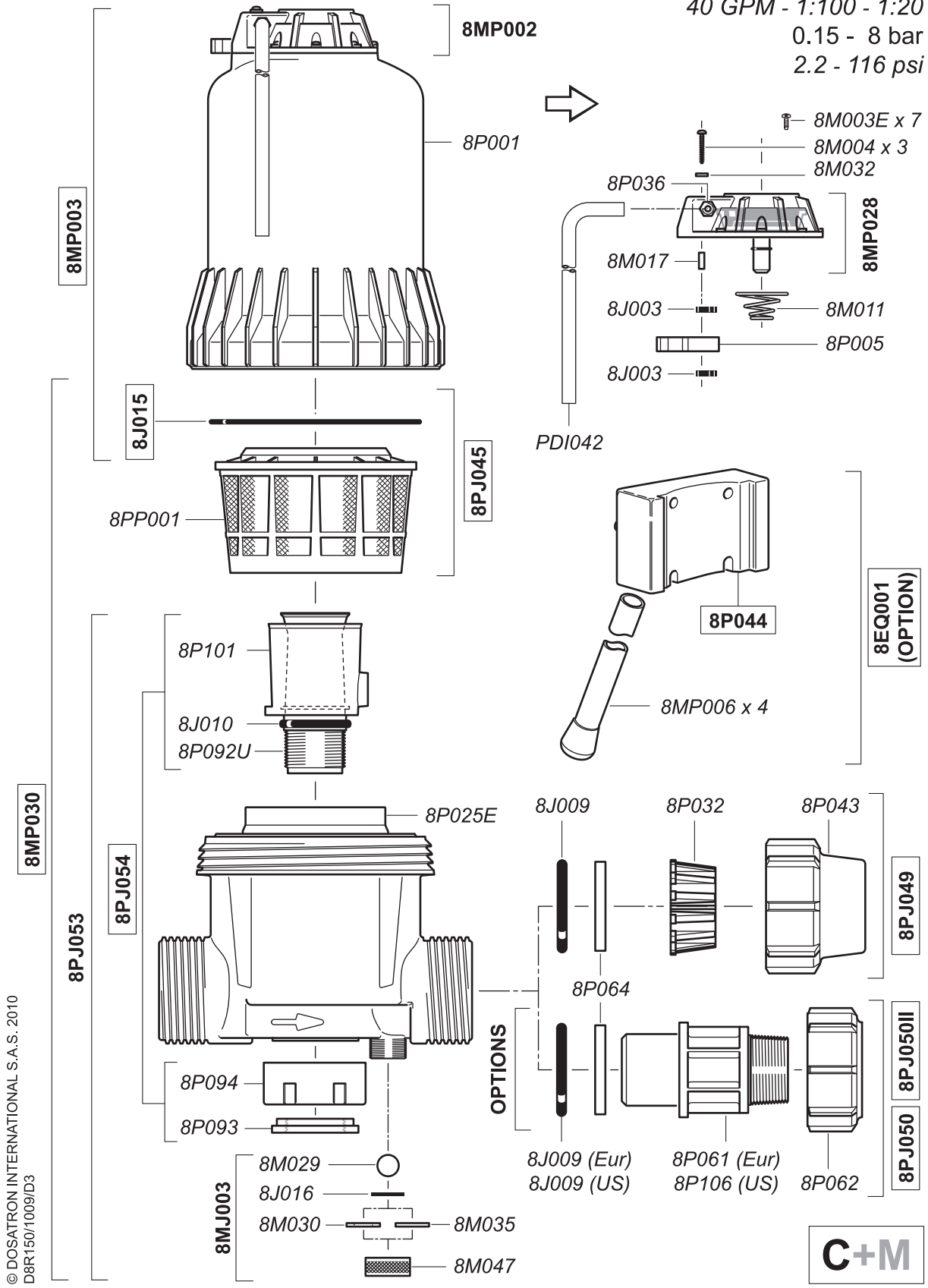


A



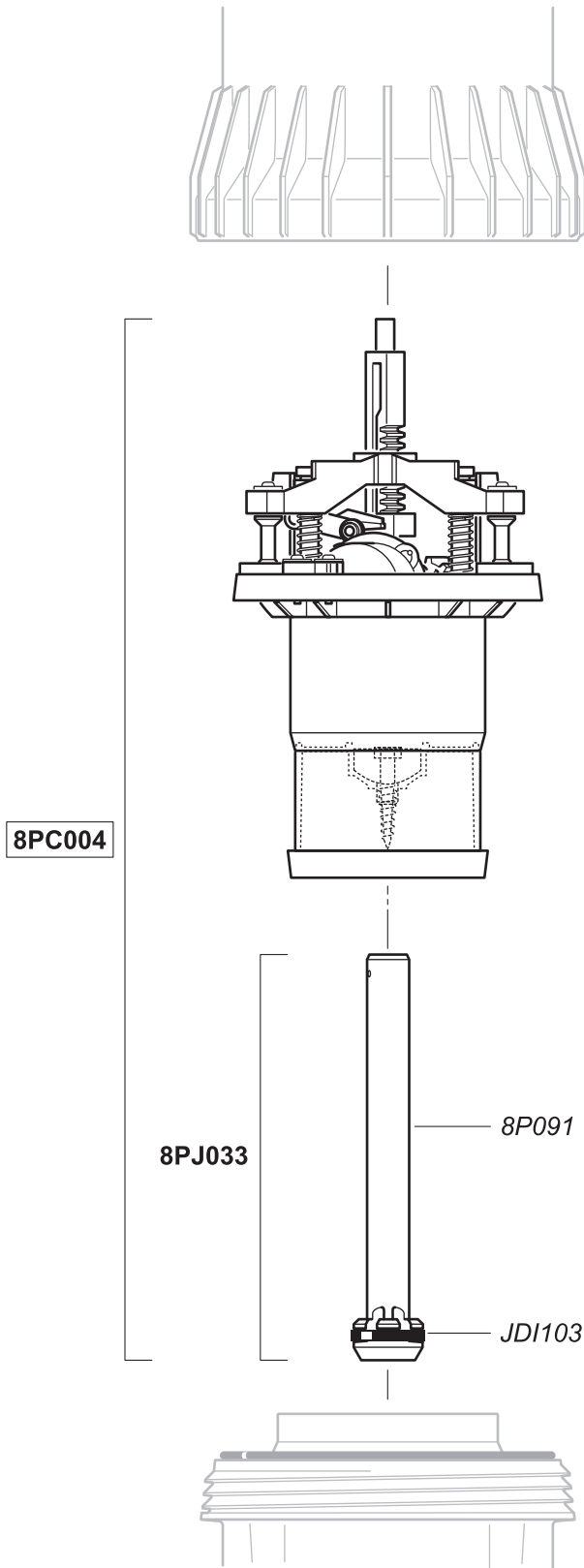
D8R150

8 m³/h - 1 - 5%
 40 GPM - 1:100 - 1:20
 0.15 - 8 bar
 2.2 - 116 psi



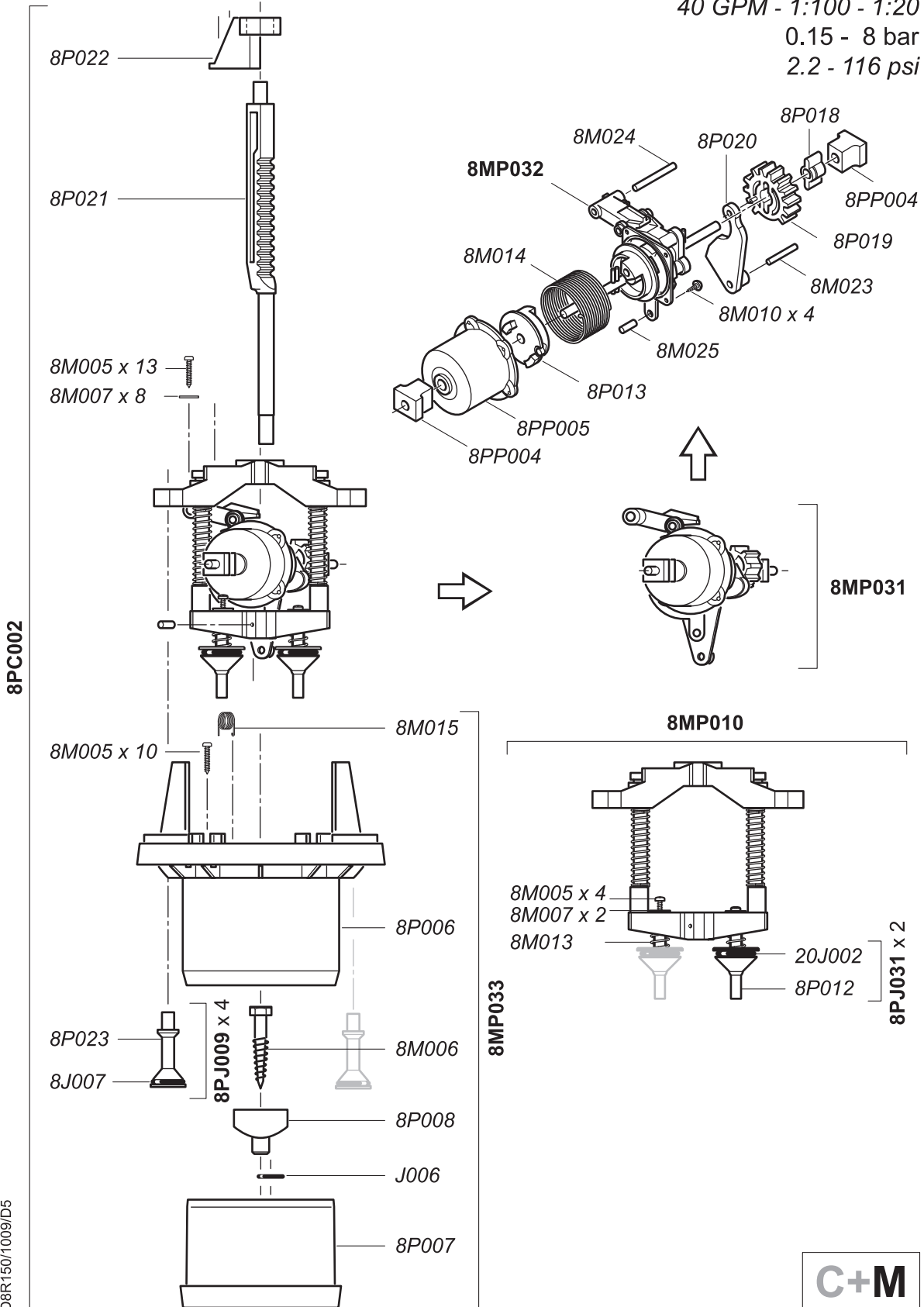
D8R150

8 m³/h - 1 - 5%
40 GPM - 1:100 - 1:20
0.15 - 8 bar
2.2 - 116 psi



D8R150

8 m³/h - 1 - 5%
 40 GPM - 1:100 - 1:20
 0.15 - 8 bar
 2.2 - 116 psi

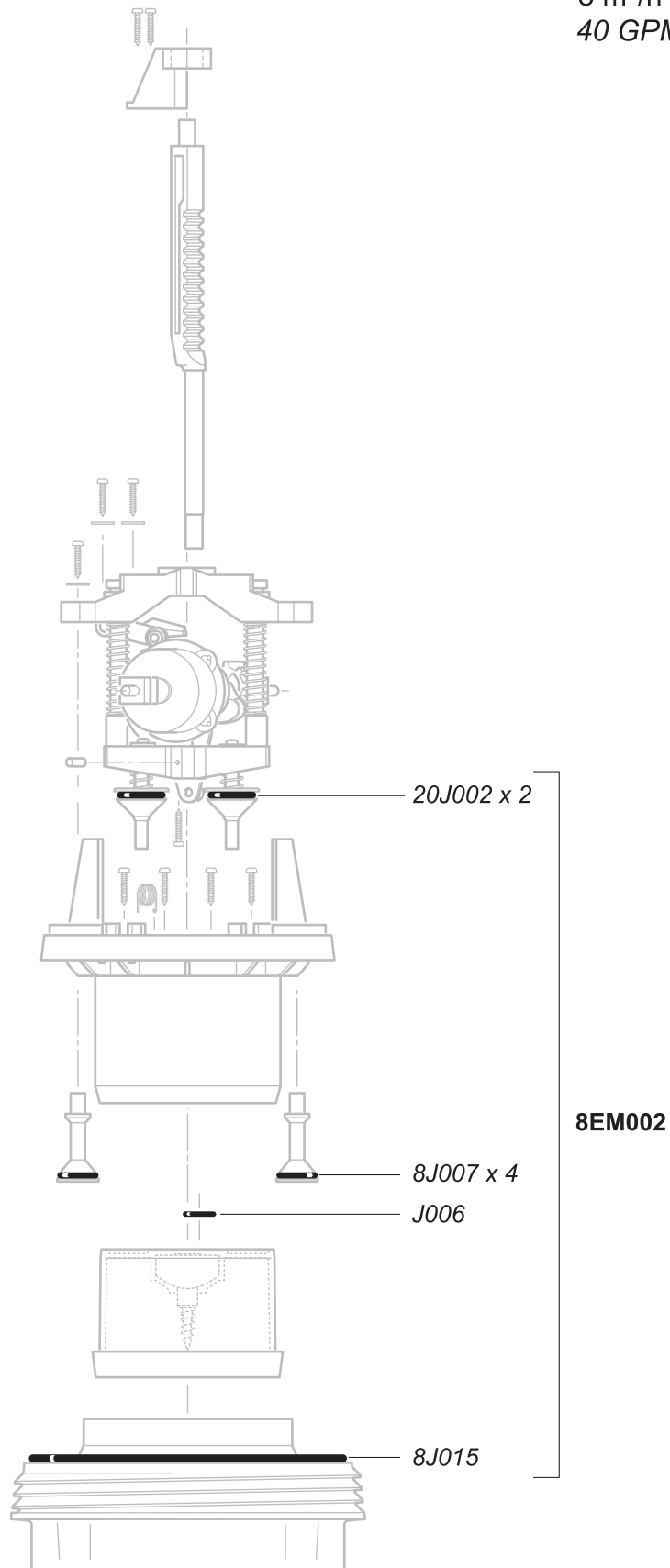


© DOSATRON INTERNATIONAL S.A.S. 2010
 D8R150/1009/D5



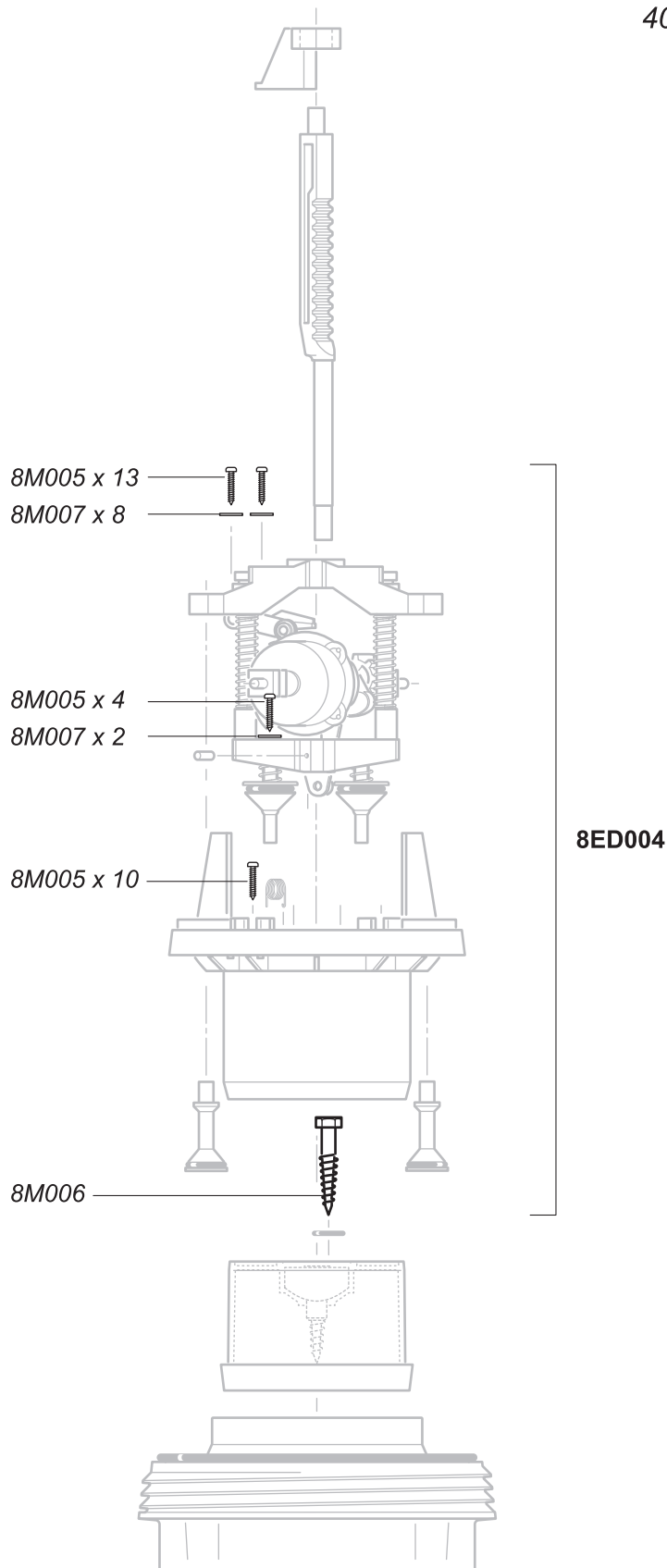
D8R150

8 m³/h - 1 - 5%
40 GPM - 1:100 - 1:20
0.15 - 8 bar
2.2 - 116 psi



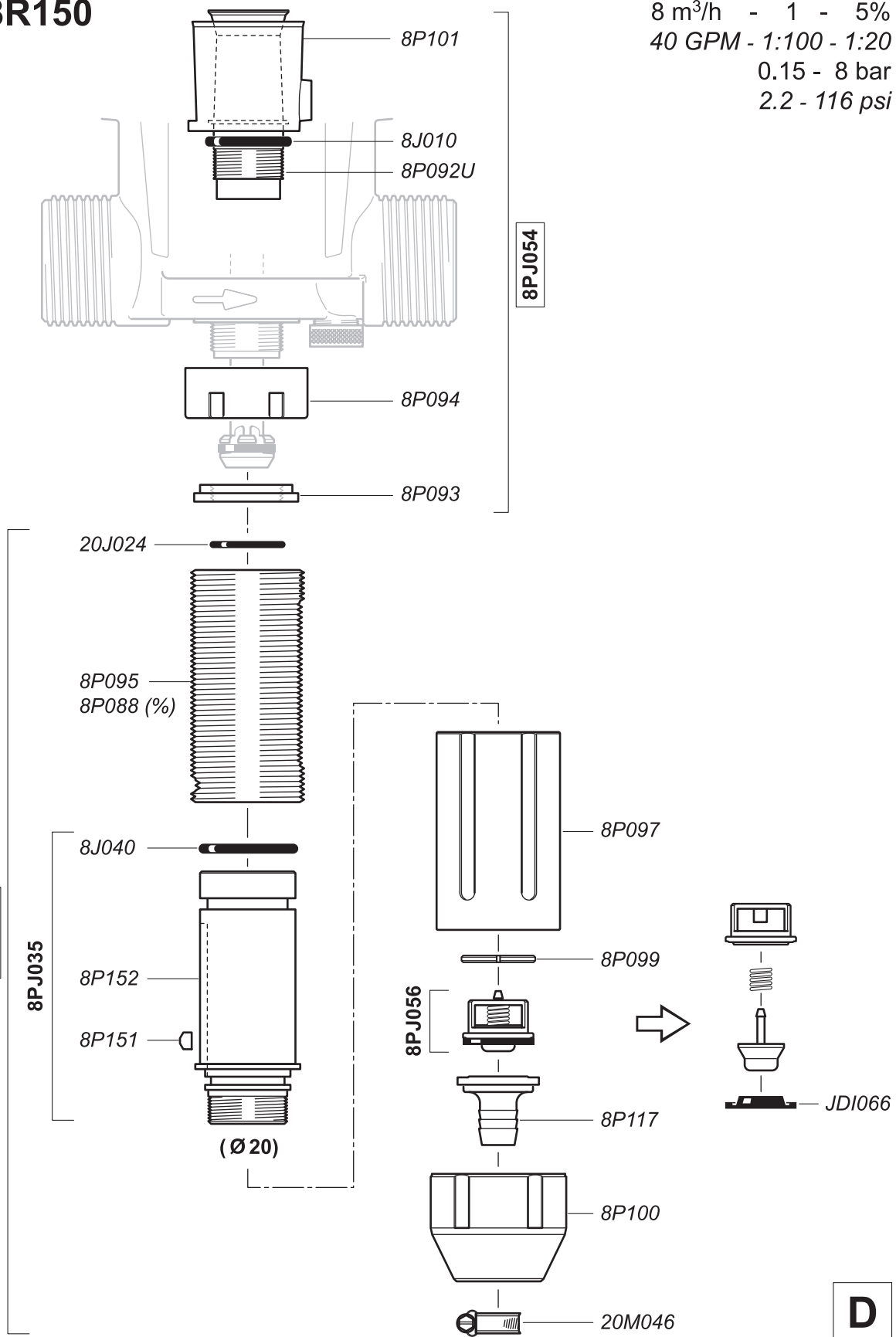
D8R150

8 m³/h - 1 - 5%
40 GPM - 1:100 - 1:20
0.15 - 8 bar
2.2 - 116 psi



D8R150

8 m³/h - 1 - 5%
 40 GPM - 1:100 - 1:20
 0.15 - 8 bar
 2.2 - 116 psi

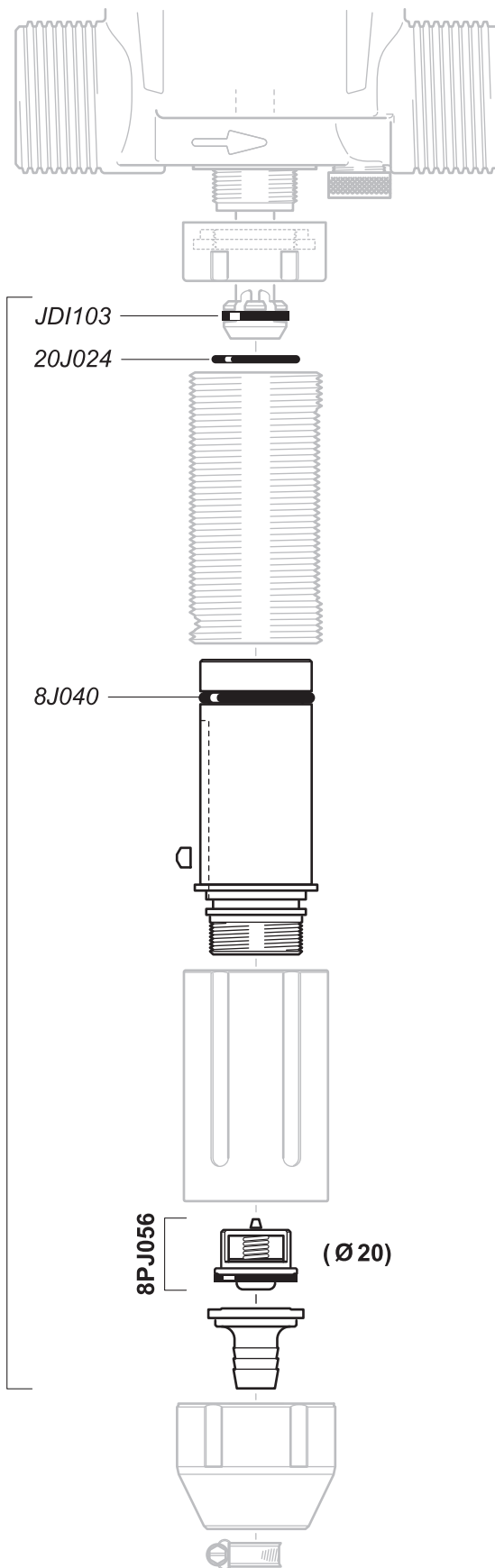


© DOSATRON INTERNATIONAL S.A.S. 2010
 D8R150/1009/D8

D

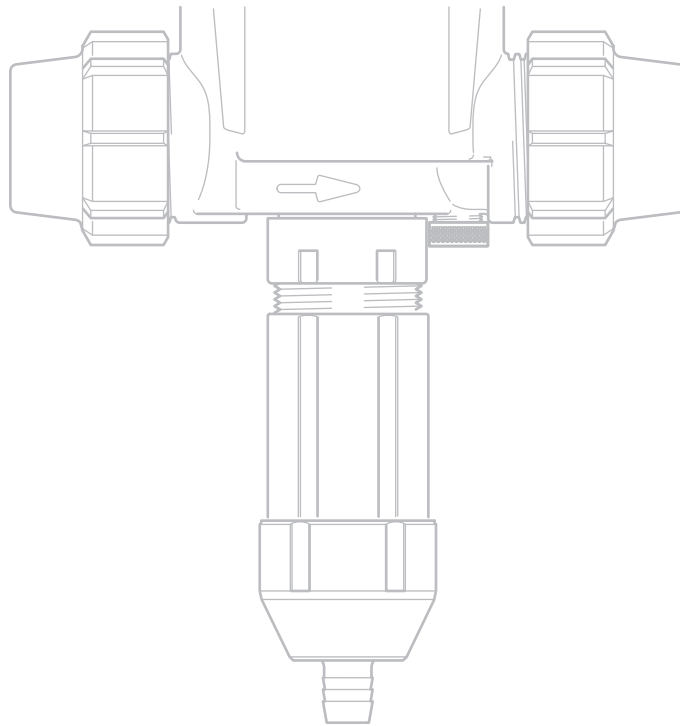
D8R150

8 m³/h - 1 - 5%
40 GPM - 1:100 - 1:20
0.15 - 8 bar
2.2 - 116 psi



D8R150

8 m³/h - 1 - 5%
40 GPM - 1:100 - 1:20
0.15 - 8 bar
2.2 - 116 psi



(Ø 20)

